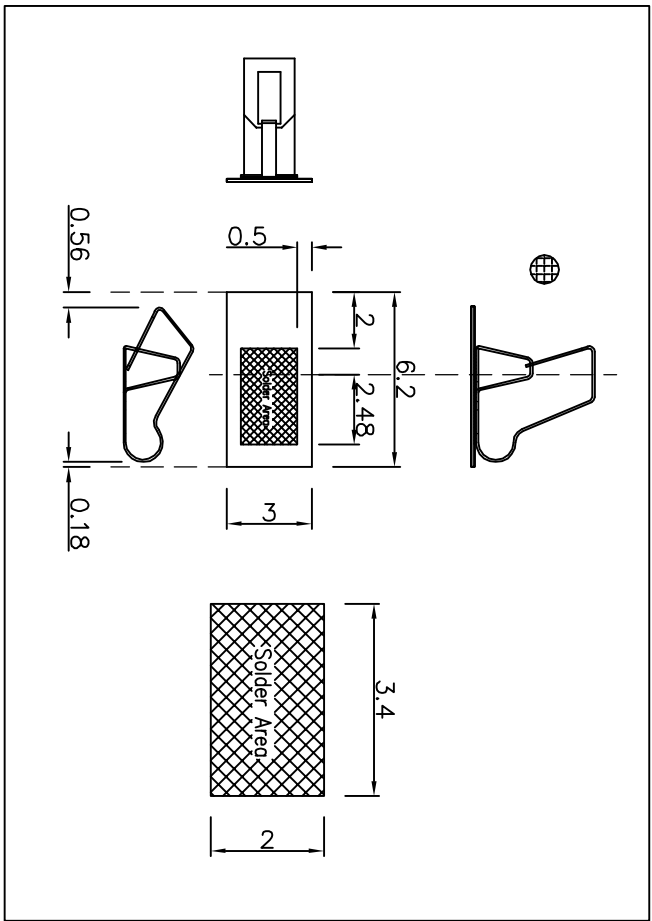
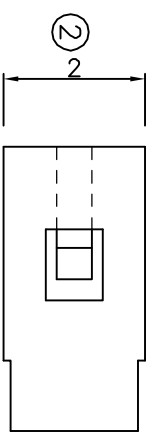
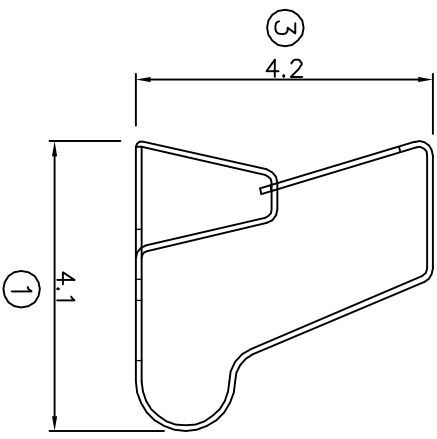
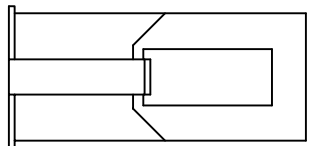
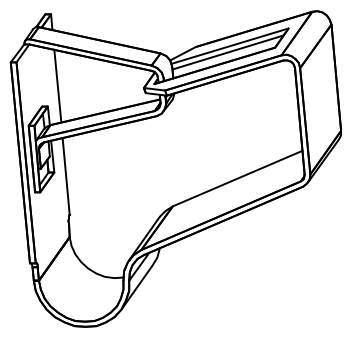


0012/26-'17



PCB Recommend Layout Pattern



- Note:
1. Material: Copper Alloy
 2. Thickness: 0.08mm
 3. Electroplate:
 - Gold Flash on contact area
 - Gold Flash on solder area
 - Nickel underplating over all
 4. Conform RoHS/RoHS 2.0/GP/HSF/HF

RANGE(mm)	TOLERANCE/CLASS		
	1	2	3
≤30	+ 0.1	+ 0.15	+ 0.3
30< - ≤120	+ 0.15	+ 0.2	+ 0.4
120< - ≤300	+ 0.2	+ 0.3	+ 0.5
300<	+ 0.3	+ 0.5	+ 0.8
ANGLES	± 2.5°		

0.212/26-'17		新制訂	
DRAFT	Hardy Hsieh	DATE	12/26-'17
CHECKER	Justin Wu	DATE	12/26-'17
APPROVAL	Jocky Lin	REV	00
DRAWING NO	SQ-4203G	SHEET	1/1
EMI STOP		SCALE	1:1
EMI STOP CORP.		PART NUMBER	EMISTOP
DESCRIPTION		SQ-4203G	

