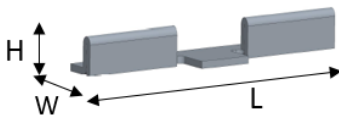
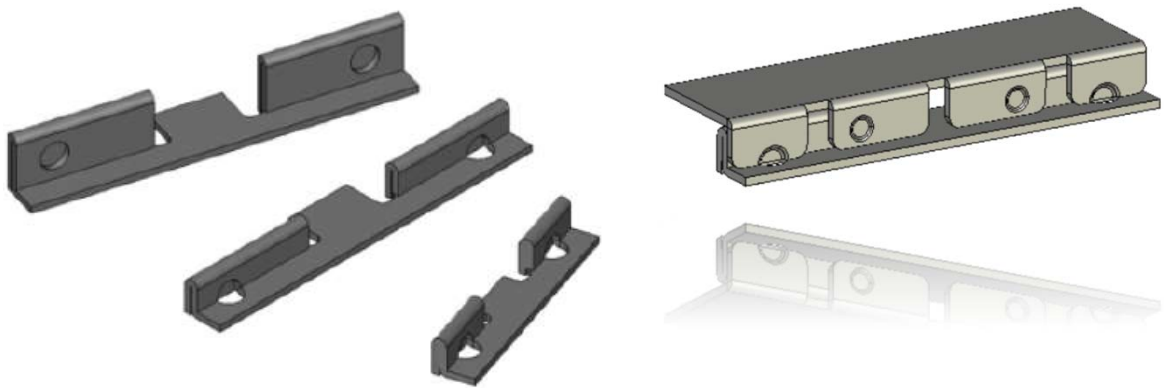




SMT SHIELDING CLIP :

SML SERIES

- Assemble and repair easily
- Strong keeping force on shielding case
- Lower shielding case application



P/N	Plating	Material	L (mm)	W (mm)	H (mm)
SML-04M	Matte Tin	Stainless Steel	4.30	0.80	0.44
SML-08M	Matte Tin	Stainless Steel	5.00	1.00	0.80
SML-08A2M	Matte Tin	Stainless Steel	8.00	1.50	0.80
SML-12M	Matte Tin	Stainless Steel	5.00	1.00	1.20

* Suggest shielding cover : thickness 0.15mm or 0.20mm
height less than 1.50mm

service@emistop.com