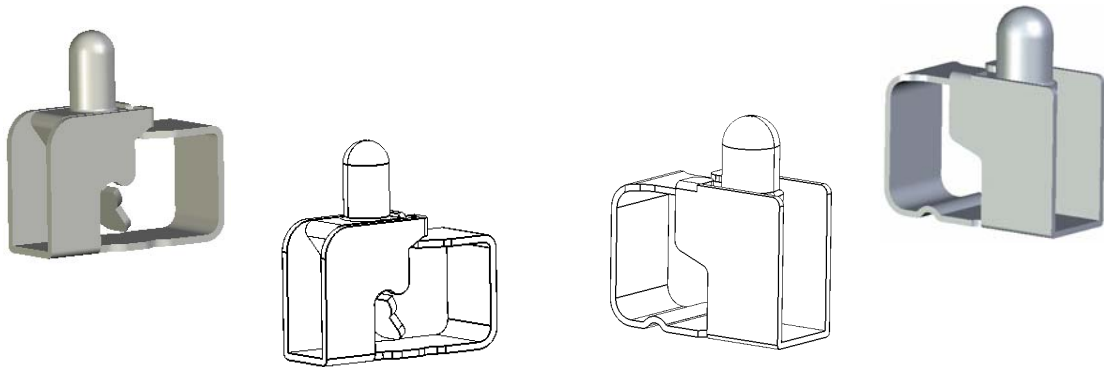




# HIGH STRENGTH SPRING - HIGH STRENGTH SPRING -

## QQ SERIES QQ SERIES

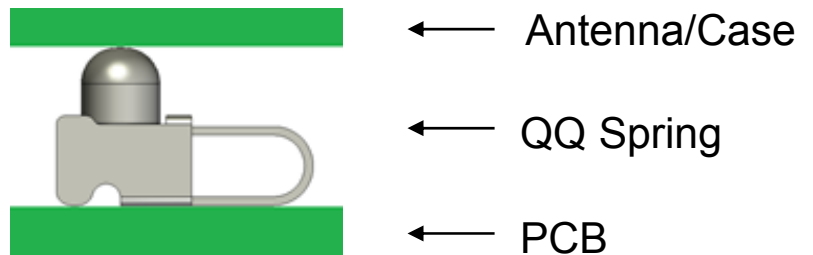
- Stable contact point and resistance
- Anti overstressing and potential damage
- Anti-hook design



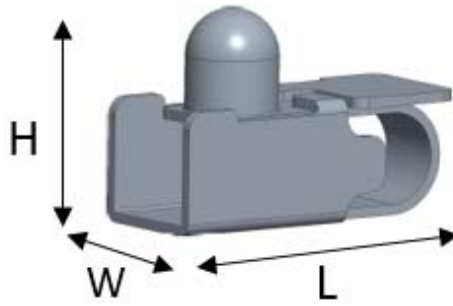
Grounding / EMI / Signal Solution

### Applications

- Antenna Contact
- Grounding Contact
- Signal Transmission



## QQ series



P/N	Plating	Material	L (mm)	W (mm)	H (mm)	Working Height (mm)
QQ-22Q1G	Gold	Phosphorus Bronze	3.60	1.80	2.20	1.35 ~ 1.80
QQ-25A1G	Gold	Beryllium Copper	3.80	1.60	2.50	1.60 ~ 2.00
QQ-26G	Gold	Beryllium Copper	3.43	1.40	2.65	1.65 ~ 2.25
QQ-32G	Gold	Beryllium Copper	4.11	1.90	3.15	2.05 ~ 2.65
QQ-36G	Gold	Beryllium Copper	3.50	1.40	3.60	2.40 ~ 3.20
QQ-41G-1	Gold	Beryllium Copper	5.30	1.90	4.10	2.80 ~ 3.60
QQ-43A1G	Gold	Beryllium Copper	4.30	2.14	4.30	2.70 ~ 3.80
QQ-47A2G	Gold	Beryllium Copper	3.93	2.00	4.70	3.20 ~ 4.30
QQ-51K1Q1G	Gold	Phosphorus Bronze	4.73	2.00	5.10	3.70 ~ 4.60

[service@emistop.com](mailto:service@emistop.com)