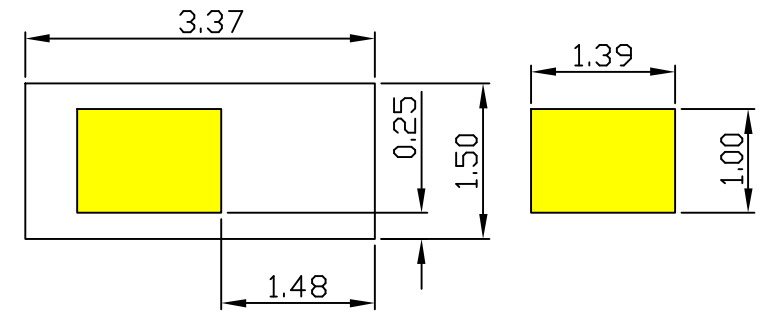
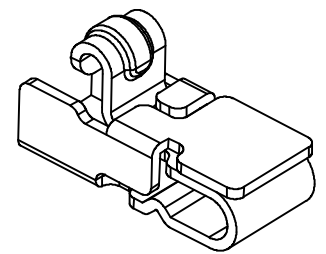
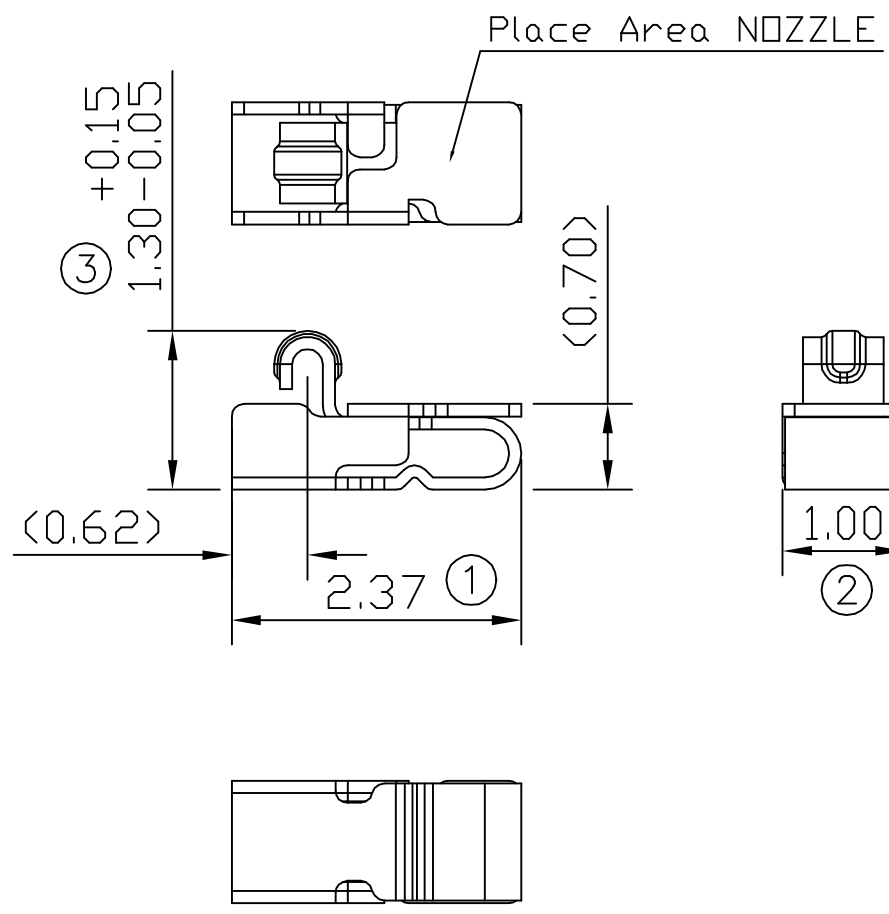
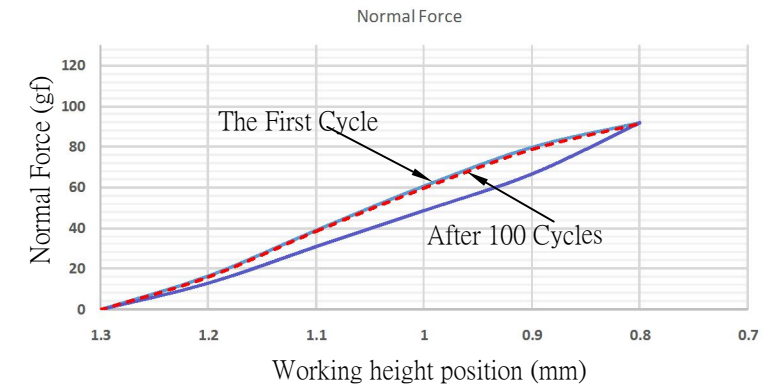


01 06/16-'14



RECOMMENDED SOLDERING PCB LAYOUT
TOLERANCE (.XX ± 0.05)



- Note:
1. Material: Titanium copper Thickness 0.10mm
 2. Electroplate:
Gold Flash on contact area
Gold Flash on solder area
Nickel underplating over all
 3. Electrical Characteristics:
3-1 Current Voltage: 12V
3-2 Current Rate: 3A
3-3 Contact Resistance: Normal Compression $\langle 30m\Omega \rangle$
 4. Working Height of Application: 0.80~1.00 mm
 5. Spring Force Tolerance is $\pm 20gf$
 6. Operating Temperature: $-20^{\circ}C \sim +85^{\circ}C$

01	06/15-'17	DDESIGN_IMPROVEMENT
00	12/10-'13	Design creation
REV	Date	Description
DRAFT	Duke Chen	DATE 12/10-'13
CHECKER	Gabby Weng	DATE 12/10-'13
APPROVAL	Jacky Lin	DATE 12/10-'13
SHEET	1-2	SCALE Not to scale
UNIT	mm	

RoHS
Compatible

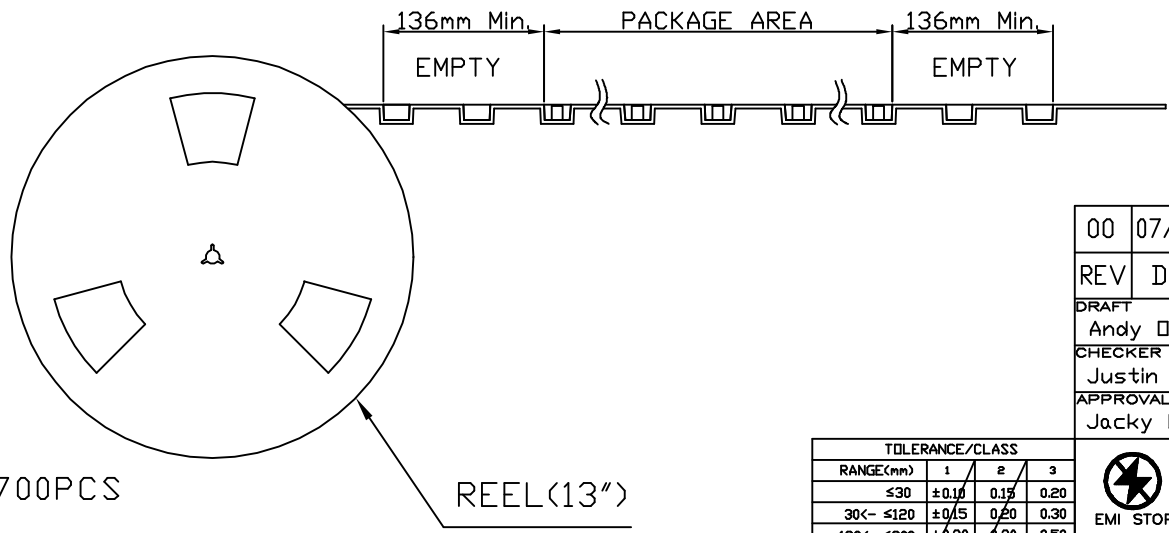
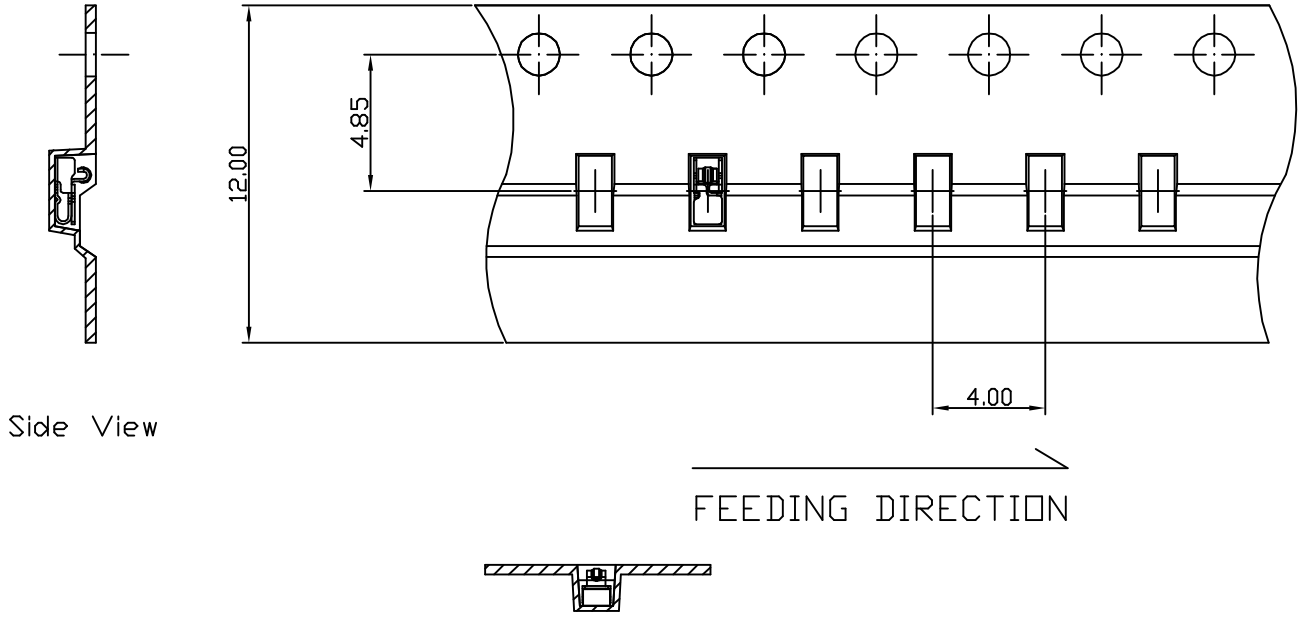
TOLERANCE/CLASS			
RANGE(mm)	1	2	3
≤30	±0.10	0.15	0.20
30< - ≤120	±0.15	0.20	0.30
120< - ≤300	±0.20	0.30	0.50
300<	±0.30	0.50	0.80
ANGLES	±2.5°		

EMI STOP CORP.

EMI STOP
EMISTOP
QTT-13G

CUS P/N

A
B
C
D
E
F



Package Information:
 1.Quantity Per Reel: 9700PCS
 2.REEL: 13"X 12 mm

TOLERANCE/CLASS			
RANGE(mm)	1	2	3
≤30	±0.10	0.15	0.20
30<- ≤120	±0.15	0.20	0.30
120<- ≤300	±0.20	0.30	0.50
300<	±0.30	0.50	0.80
ANGLES	±2.5°		

00	07/18-'19	Design creation			
REV	Date	Description			
DRAFT	Andy □	DATE	07/18-'19	RoHS Compatible	
CHECKER	Justin Wu	DATE	07/18-'19		
APPROVAL	Jacky Lin	DATE	07/18-'19	SHEET	2-2
		SCALE	Not to scale	UNIT	mm
		EMI STOP CORP.			
EMISTOP		CUS P/N			
QTT-13G					