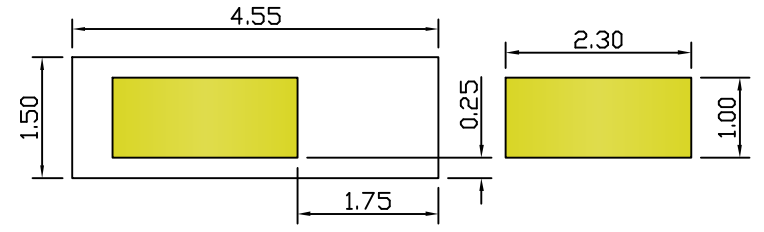
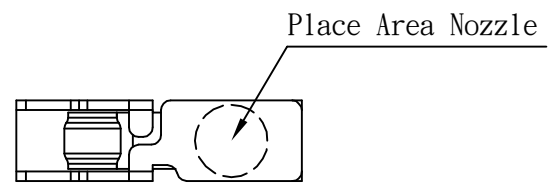
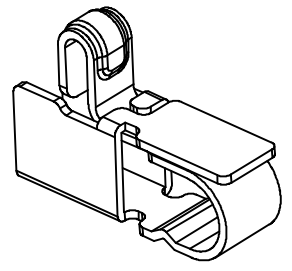
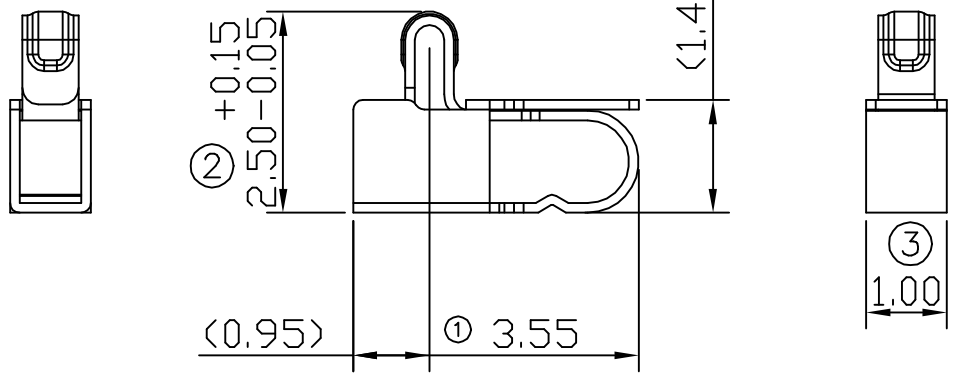


00 05/12-'14



RECOMMENDED SOLDERING PCB LAYOUT  
 TOLERANCE(.XX±0.05)



- Note:
1. Material: Titanium copper Thickness 0.12mm
  2. Electroplate:
    - Gold Flash on contact area
    - Gold Flash on solder area
    - Nickel underplating over all
  3. Electrical Characteristics:
    - 3-1 Current Voltage: 12V
    - 3-2 Current Rate: 3A
    - 3-3 Contact Resistance: Normal Compression < 30mΩ
  4. Working Height of Application: 1.50~2.10 mm
  5. Spring Force Tolerance is ±20gf
  6. Operating Temperature: -20℃~+85℃

00	05/12-'14	Design creation								
REV	Date	Description								
DRAFT	Duke Chen	DATE	05/12-'14	<b>RoHS Compatible</b>						
CHECKER	Gabby Weng	DATE	05/12-'14							
APPROVAL	Jacky Lin	DATE	05/12-'14			SHEET	1-2	SCALE	Not to scale	UNIT

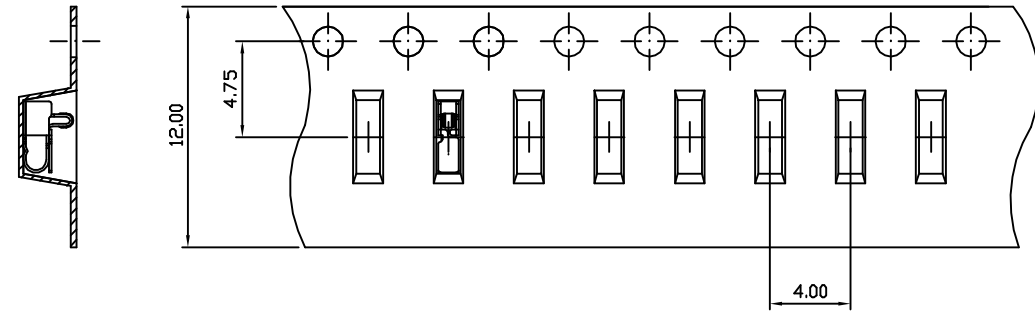
TOLERANCE/CLASS			
RANGE(mm)	1	2	3
≤30	±0.10	0.15	0.20
30<- ≤120	±0.15	0.20	0.30
120<- ≤300	±0.20	0.30	0.50
300<	±0.30	0.50	0.80
ANGLES	±2.5°		

**EMI STOP CORP.**

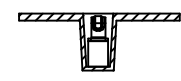
EMI STOP

EMISTOP	CUS P/N
QTT-25G	

00 10/21-'19

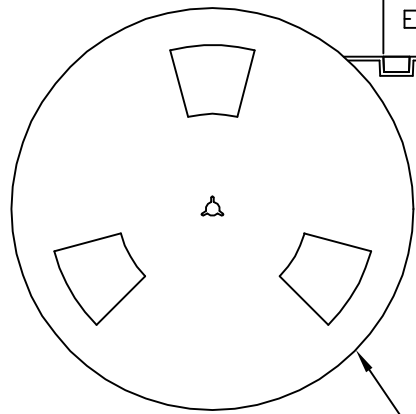
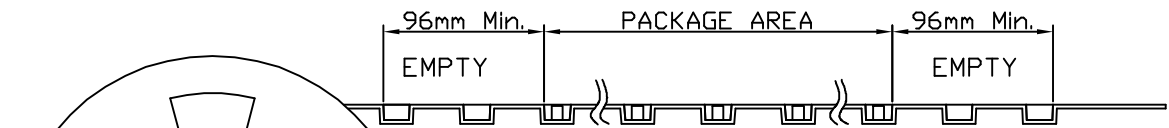


Side View



Front View

FEEDING DIRECTION



REEL(13")

Package Information:  
 1.Quantity Per Reel: 6000PCS  
 2.REEL: 13"X 12 mm

00	10/21-'19	Design creation			
REV	Date	Description			
DRAFT	Kevin Chen	DATE	10/21-'19	<b>RoHS Compatible</b>	
CHECKER	Justin Wu	DATE	10/21-'19		
APPROVAL	Jacky Lin	DATE	10/21-'19		
		SHEET	2-2	SCALE	Not to scale
		UNIT	mm		

TOLERANCE/CLASS			
RANGE(mm)	1	2	3
≤30	±0.10	0.15	0.20
30<- ≤120	±0.15	0.20	0.30
120<- ≤300	±0.20	0.30	0.50
300<	±0.30	0.50	0.80
ANGLES	±2.5°		

**EMI STOP CORP.**

EMISTOP QTT-25G CUS P/N