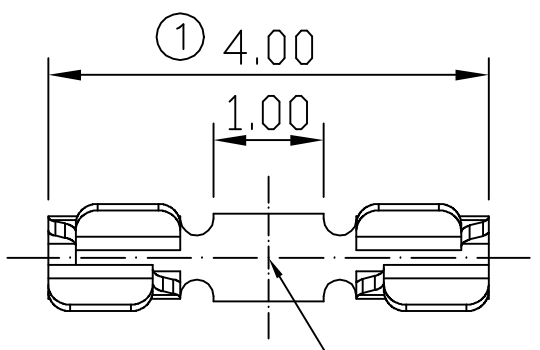
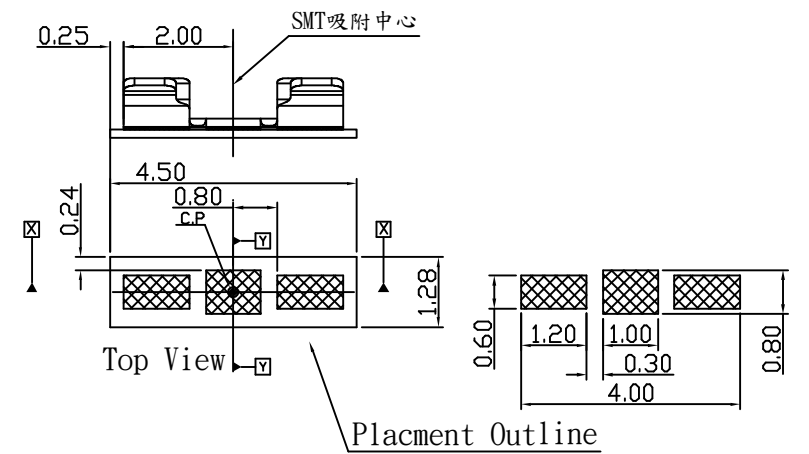


00 10/17-'14

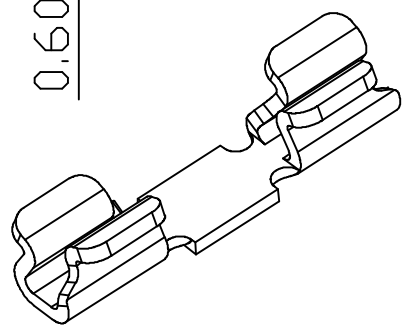
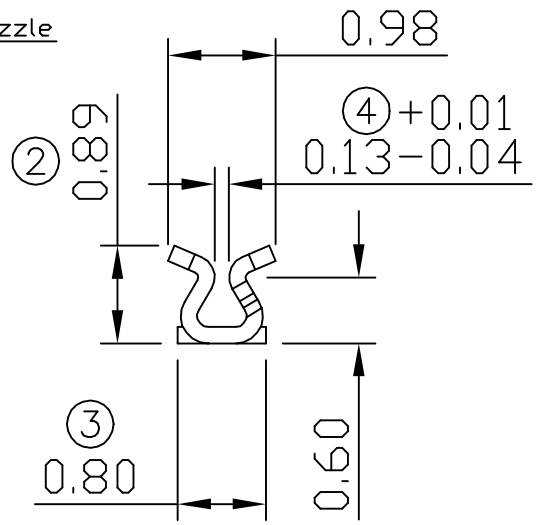
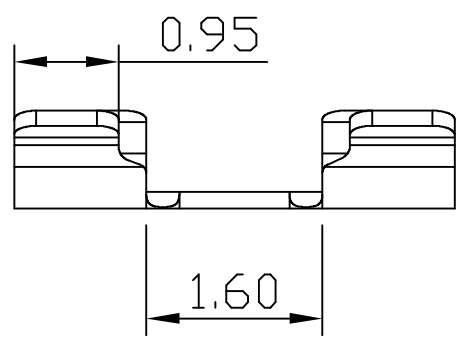


Place Area Nozzle



RECOMMENDED SOLDERING PCB LAYOUT

TOLERANCE(.XX±0.05)

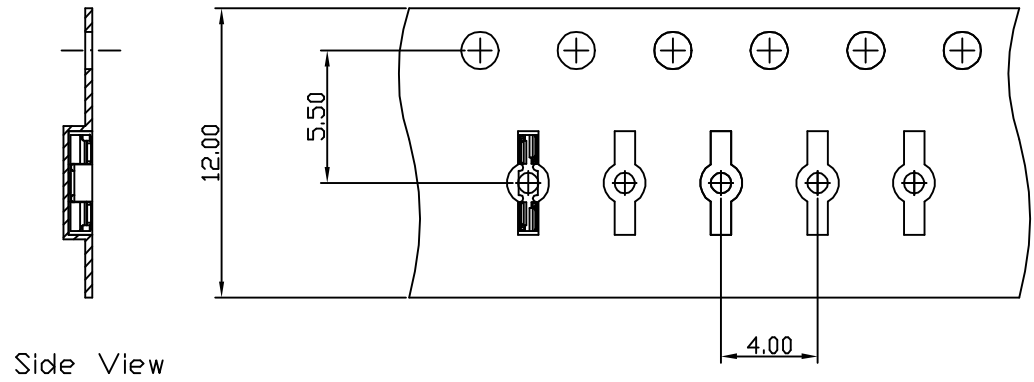


- Note:
1. Material: Stainless steel Thickness 0.15mm
  2. Electroplate:  
Matte Sn over all  
Nickel underplating over all
  3. Operating Temperature: -20℃~+85℃
  4. Recommended conditions shielding cover 0.15mm

TOLERANCE/CLASS			
RANGE(mm)	1	2	3
≤30	±0.10	0.15	0.20
30<- ≤120	±0.15	0.20	0.30
120<- ≤300	±0.20	0.30	0.50
300<	±0.30	0.50	0.80
ANGLES	±2.5°		

00	10/17-'14	Design creation			
REV	Date	Description			
DRAFT	Danny Liao	DATE	<b>RoHS</b> <b>Compatible</b>		
CHECKER	Gabby Weng	DATE			
APPROVAL	Jacky Lin	DATE			
	10/17-'14	SHEET	SCALE	UNIT	
	10/17-'14	1-2	Not to scale	mm	
		<b>EMI STOP CORP.</b>			
EMISTOP		CUS P/N			
SUL-08A3M					

00 10/31-'19

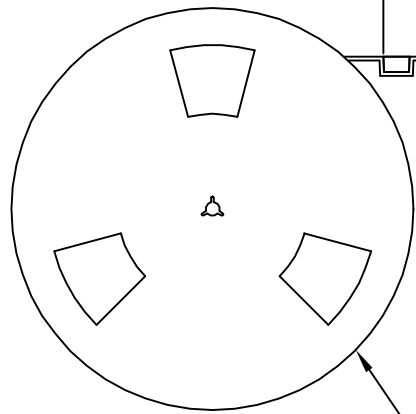
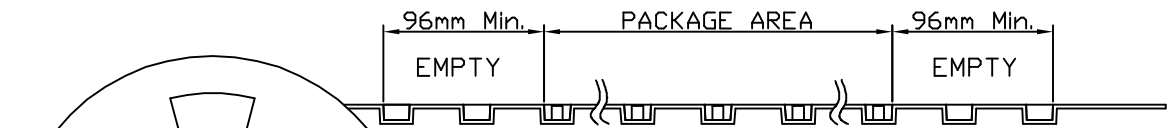


Side View

FEEDING DIRECTION



Front View



REEL(7")

Package Information:  
 1.Quantity Per Reel: 3000PCS  
 2.REEL: 7"X 12 mm

00	10/31-'19	Design creation			
REV	Date	Description			
DRAFT	Andy □	DATE	10/31-'19	<b>RoHS</b> <b>Compatible</b>	
CHECKER	Justin Wu	DATE	10/31-'19		
APPROVAL	Jacky Lin	DATE	10/31-'19		
		SHEET	2-2	SCALE	Not to scale
		UNIT	mm		

TOLERANCE/CLASS			
RANGE(mm)	1	2	3
≤30	±0.10	0.15	0.20
30<- ≤120	±0.15	0.20	0.30
120<- ≤300	±0.20	0.30	0.50
300<	±0.30	0.50	0.80
ANGLES	±2.5°		

**EMI STOP CORP.**  
 EMI STOP  
 EMISTOP  
 SUL-08A3M  
 CUS P/N