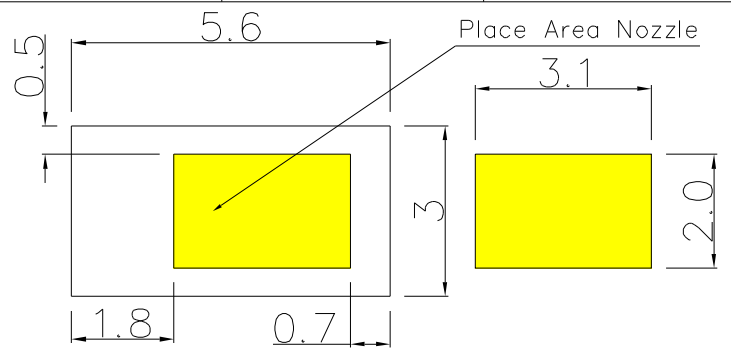
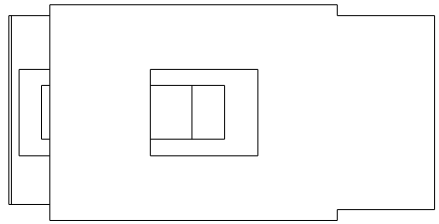
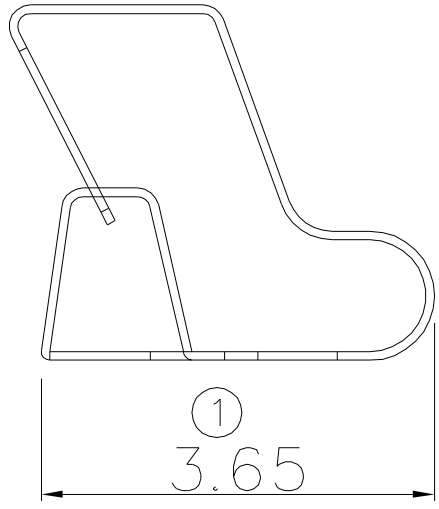
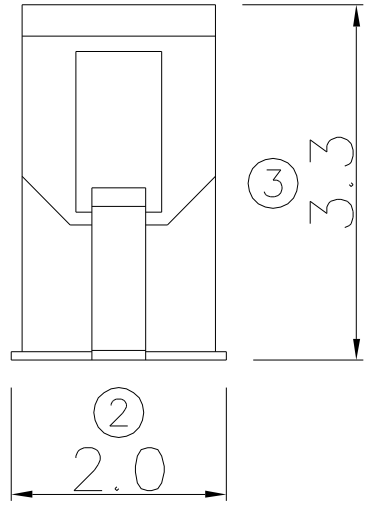
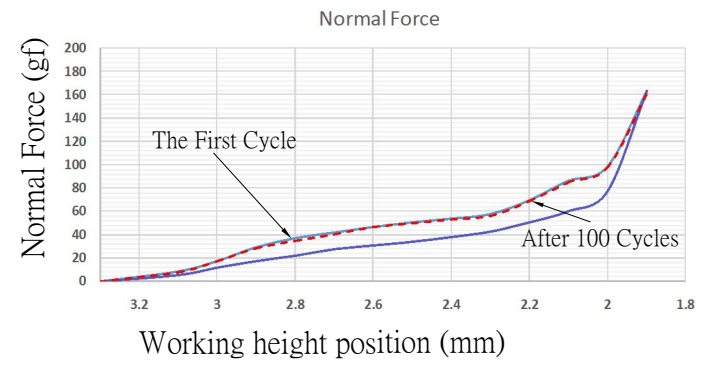


00 08/26-'13



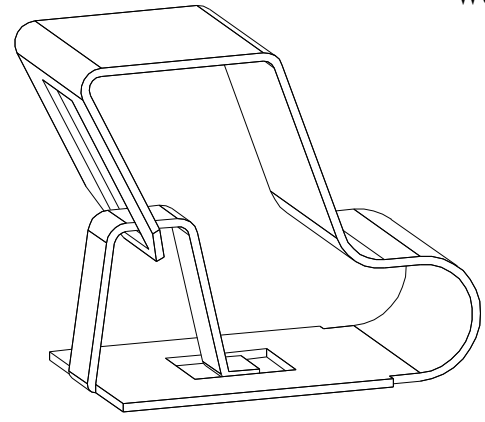
RECOMMENDED SOLDERING PCB LAYOUT

TOLERANCE(.XX±0.05)



Note:

1. Material: Beryllium Copper Thickness 0.08mm
2. Electroplate:
 Gold Flash on contact area
 Gold Flash on solder area
 Nickel underplating over all
3. Electrical Characteristics:
 3-1 Current Voltage: 12V
 3-2 Current Rate: 3A
 3-3 Contact Resistance: Normal Compression < 30mΩ
4. Working Height of Application: 1.90 ~ 2.80mm
5. Spring Force Tolerance is ±20gf
6. Operating Temperature: -20℃~+85℃



| | | | | | | | | | | |
|----------|-----------|-----------------|-----------|----------------------------------|--|-------|-----|-------|--------------|------|
| 00 | 11/17-'04 | Design creation | | | | | | | | |
| REV | Date | Description | | | | | | | | |
| DRAFT | Jewel Liu | DATE | 11/17-'04 | RoHS Compatible | | | | | | |
| CHECKER | jacky Lin | DATE | 11/17-'04 | | | | | | | |
| APPROVAL | Gary Chen | DATE | 11/17-'04 | | | SHEET | 1-2 | SCALE | Not to scale | UNIT |

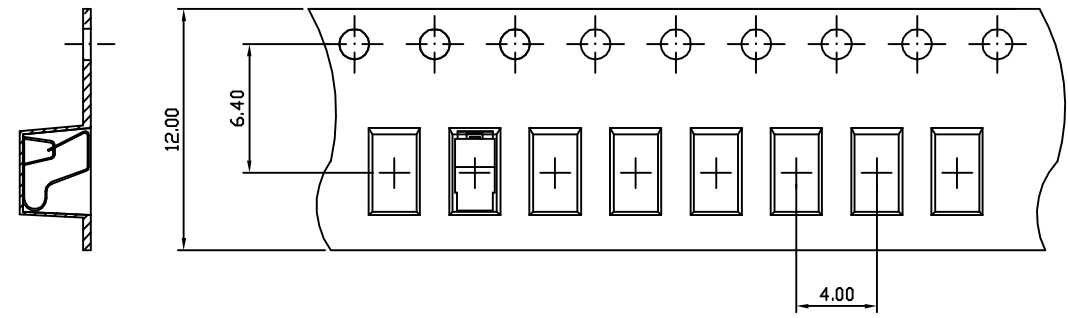
| TOLERANCE/CLASS | | | |
|-----------------|-------|------|------|
| RANGE(mm) | 1 | 2 | 3 |
| ≤30 | ±0.10 | 0.15 | 0.20 |
| 30< ≤120 | ±0.15 | 0.20 | 0.30 |
| 120< ≤300 | ±0.20 | 0.30 | 0.50 |
| 300< | ±0.30 | 0.50 | 0.80 |
| ANGLES | ±2.5° | | |

EMI STOP CORP.

EMI STOP

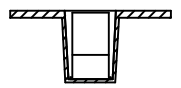
| | |
|---------|---------|
| EMISTOP | CUS P/N |
| SQ-33G | |

00 10/30-19'

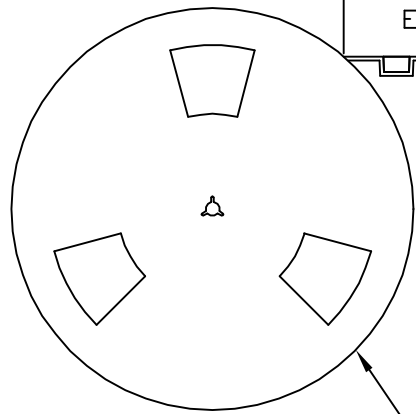
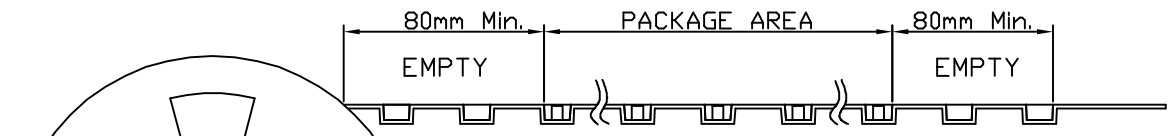


Side View

FEEDING DIRECTION



Front View



REEL(13")

Package Information:
 1.Quantity Per Reel: 5000PCS
 2.REEL: 13"X 12 mm

| | | | | |
|----------|------------|-----------------|--------------|----------------------------|
| 00 | 10/30-19' | Design creation | | |
| REV | Date | Description | | |
| DRAFT | Kevin Chen | DATE | 10/30-19' | RoHS Compatible |
| CHECKER | Justin Wu | DATE | 10/30-19' | |
| APPROVAL | Jacky Lin | DATE | 10/30-19' | SHEET 2-2 |
| | | SCALE | Not to scale | UNIT mm |

| TOLERANCE/CLASS | | | |
|-----------------|-------|------|------|
| RANGE(mm) | 1 | 2 | 3 |
| ≤30 | ±0.10 | 0.15 | 0.20 |
| 30<- ≤120 | ±0.15 | 0.20 | 0.30 |
| 120<- ≤300 | ±0.20 | 0.30 | 0.50 |
| 300< | ±0.30 | 0.50 | 0.80 |
| ANGLES | ±2.5° | | |

EMI STOP CORP.
 EMI STOP
 EMISTOP SQ-33G
 CUS P/N