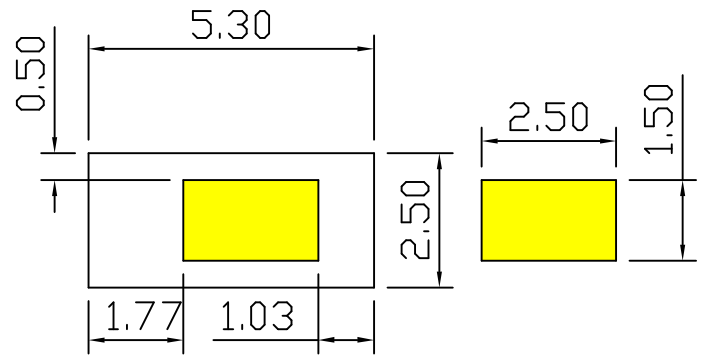
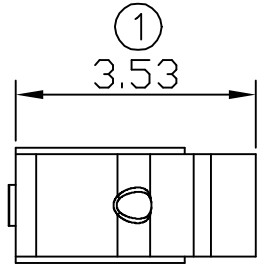
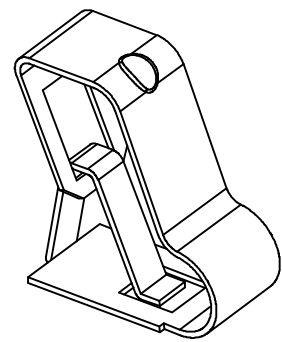
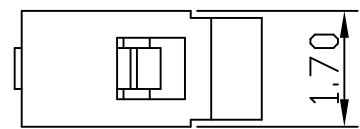
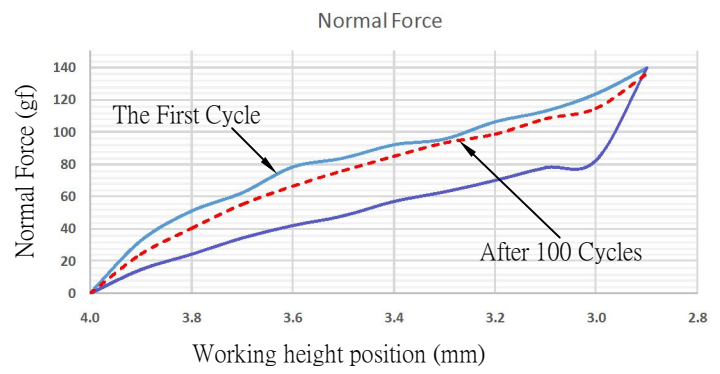
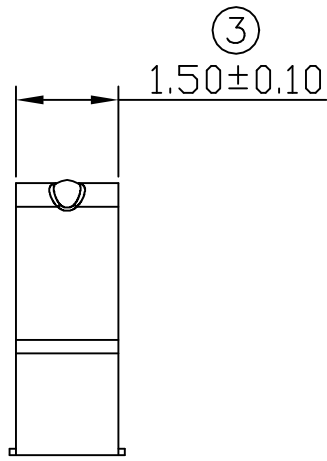
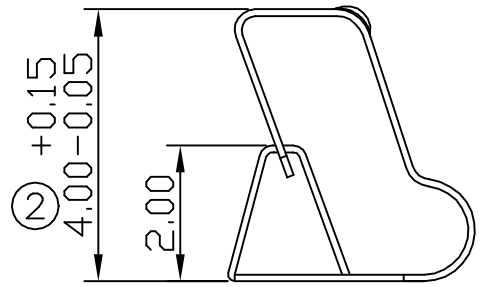
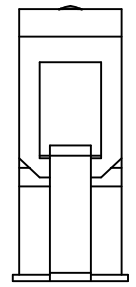


02 09/05-'13



RECOMMENDED SOLDERING PCB LAYOUT
TOLERANCE(.XX±0.05)



Note:
 1. Material: Beryllium Copper Thickness 0.10mm
 2. Electroplate:
 Gold Flash on contact area
 Gold Flash on solder area
 Nickel underplating over all
 3. Electrical Characteristics:
 3-1 Current Voltage: 12V
 3-2 Current Rate: 3A
 3-3 Contact Resistance: Normal Compression < 30mΩ
 4. Working Height of Application: 2.90 ~ 3.60mm
 5. Spring Force Tolerance is ±20gf
 6. Operating Temperature: -20℃~+85℃

00	02/09-'11	Design creation		
REV	Date	Description		
DRAFT	Timmy Lai	DATE	02/09-'11	RoHS Compatible
CHECKER	Benedict Liang	DATE	02/09-'11	
APPROVAL	Jacky Lin	DATE	02/09-'11	SHEET 1-2
		SCALE	Not to scale	UNIT mm

TOLERANCE/CLASS			
RANGE(mm)	1	2	3
≤30	±0.10	0.15	0.20
30<- ≤120	±0.15	0.20	0.30
120<- ≤300	±0.20	0.30	0.50
300<	±0.30	0.50	0.80
ANGLES	±2.5°		

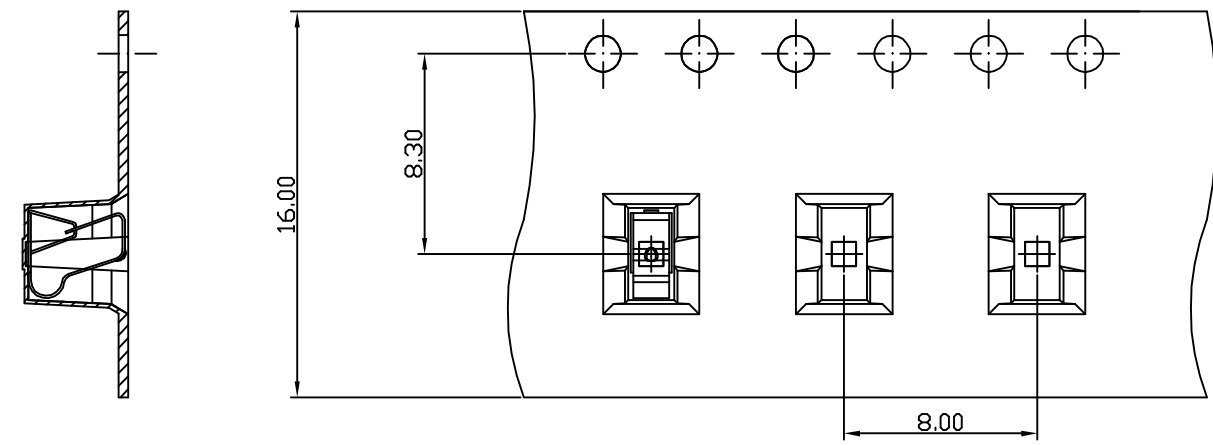
EMI STOP CORP.

EMI STOP

EMISTOP SQ-40G

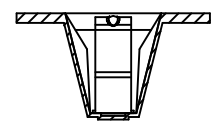
CUS P/N

00 06/12-'19

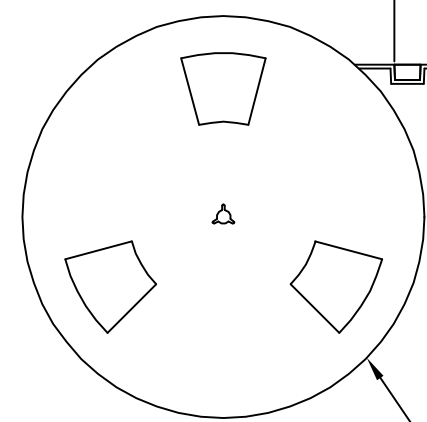
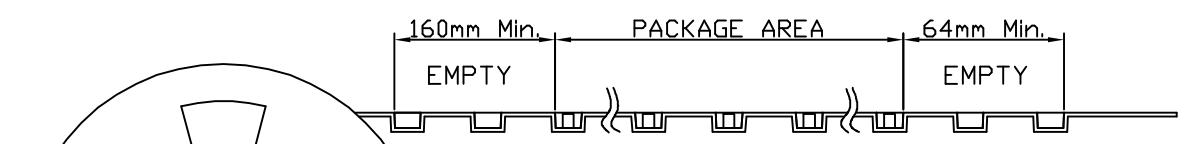


Front View

FEEDING DIRECTION



Front View



Package Information:
 1.Quantity Per Reel: 2000PCS
 2.REEL: 13"X 16 mm

REEL(13")

TOLERANCE/CLASS			
RANGE(mm)	1	2	3
≤30	±0.10	0.15	0.20
30<- ≤120	±0.15	0.20	0.30
120<- ≤300	±0.20	0.30	0.50
300<	±0.30	0.50	0.80
ANGLES	±2.5°		

00	06/12-'19	Design creation			
REV	Date	Description			
DRAFT	Andy □	DATE	06/12-'19		
CHECKER	Justin Wu	DATE	06/12-'19		
APPROVAL	Jacky Lin	DATE	SHEET	SCALE	UNIT
		06/12-'19	2-2	Not to scale	mm

RoHS
Compatible



EMI STOP CORP.

EMISTOP	CUS P/N
SQ-40G	