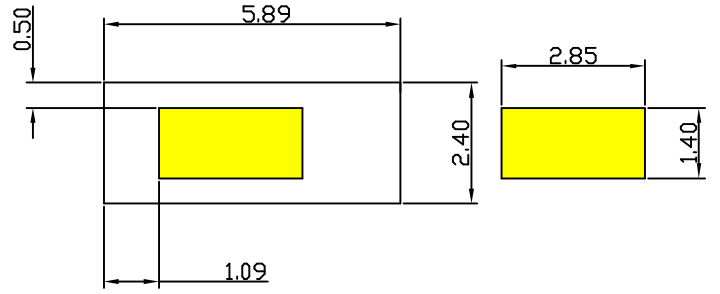
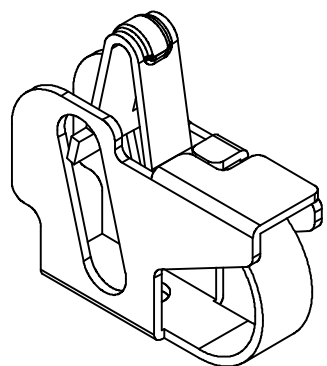
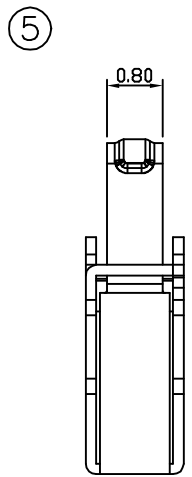
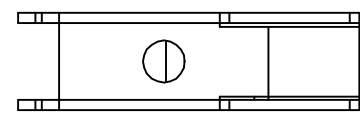
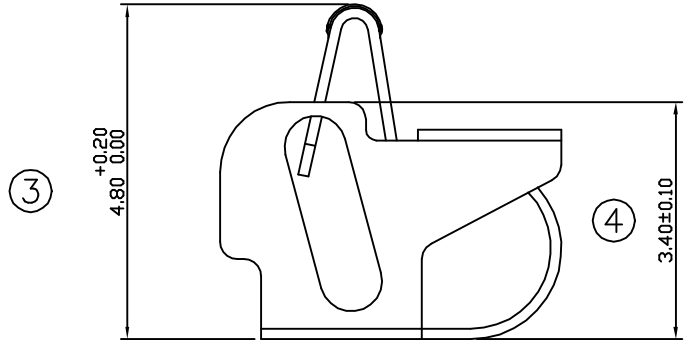
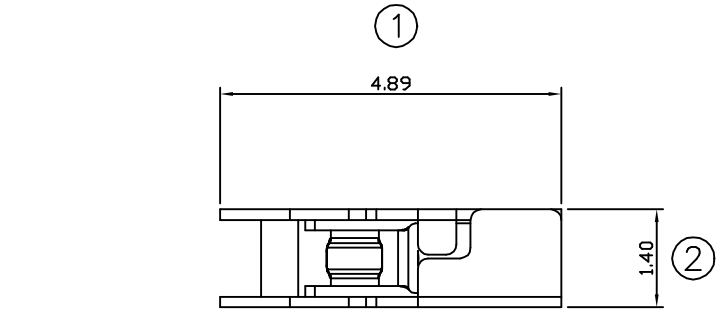
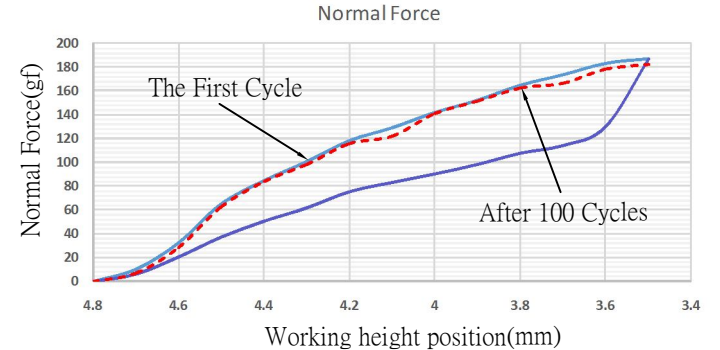


00 07/09-'13

A
B
C
D
E
F



RECOMMENDED SOLDERING PCB LAYOUT
TOLERANCE(.XX±0.05)



Note:
 1. Material: Beryllium Copper Thickness 0.15mm
 2. Electroplate:
 Au > 1u" on contact area
 Au > 1u" on solder area
 Nickel underplating over all
 3. Electrical Characteristics:
 3-1 Current Voltage: 12V
 3-2 Current Rate: 3A
 3-3 Contact Resistance: Normal Compression < 30mΩ
 4. Working Height of Application: 3.50 ~ 4.40mm
 5. Spring Force Tolerance is ±20gf
 6. Operating Temperature: -20°C ~ +85°C

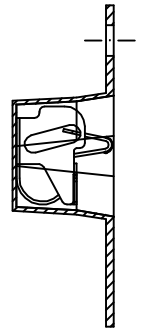
00	07/09-'13	Design creation						
REV	Date	Description						
DRAFT	Robin Liao	DATE	07/09-'13	RoHS Compatible				
CHECKER	Gabby Weng	DATE	07/09-'13					
APPROVAL	Jacky Lin	DATE	07/09-'13					
		SHEET	1-2	SCALE	Not to scale	UNIT	mm	

TOLERANCE/CLASS			
RANGE(mm)	1	2	3
≤30	±0.10	0.15	0.20
30<- ≤120	±0.15	0.20	0.30
120<- ≤300	±0.20	0.30	0.50
300<	±0.30	0.50	0.80
ANGLES	±2.5°		

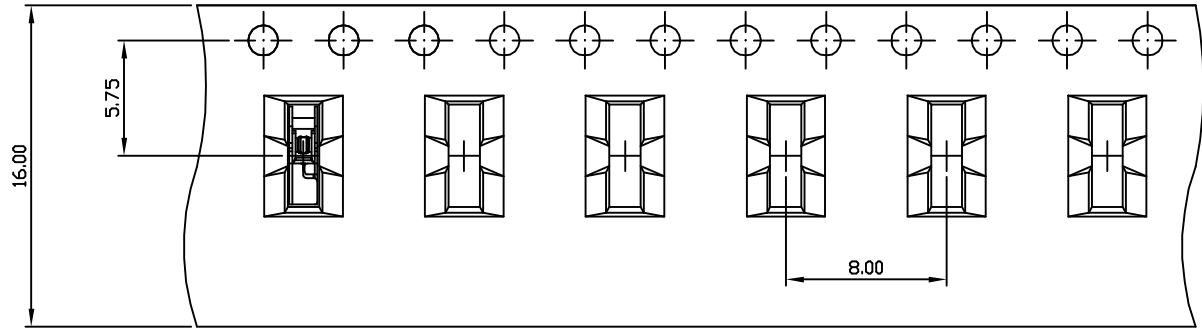
EMI STOP CORP.
 EMI STOP
 EMISTOP QM-48G
 CUS P/N

1 2 3 4 5 6 7 8

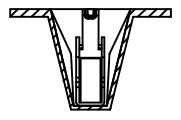
A
B
C
D
E
F



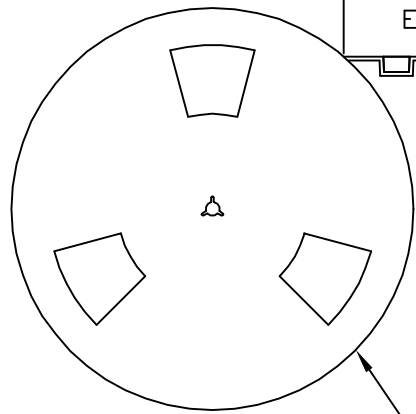
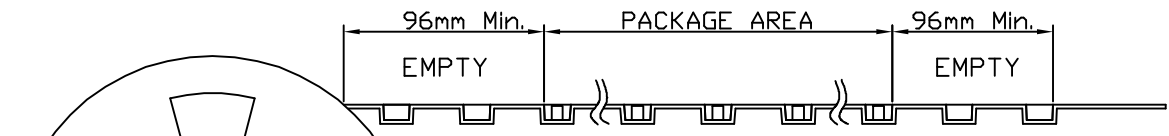
Side View



FEEDING DIRECTION



Front View



REEL(13")

Package Information:
1.Quantity Per Reel: 1500PCS
2.REEL: 13"X 16 mm

00	10/14-'19	Design creation		
REV	Date	Description		
DRAFT	Kevin Chen	DATE	10/14-'19	RoHS Compatible
CHECKER	Justin Wu	DATE	10/14-'19	
APPROVAL	Jacky Lin	DATE	10/14-'19	SHEET 2-2
		SCALE	Not to scale	UNIT mm

TOLERANCE/CLASS			
RANGE(mm)	1	2	3
≤30	±0.10	0.15	0.20
30<- ≤120	±0.15	0.20	0.30
120<- ≤300	±0.20	0.30	0.50
300<	±0.30	0.50	0.80
ANGLES	±2.5°		

EMI STOP CORP.
 EMI STOP
 EMISTOP QM-48G

CUS P/N