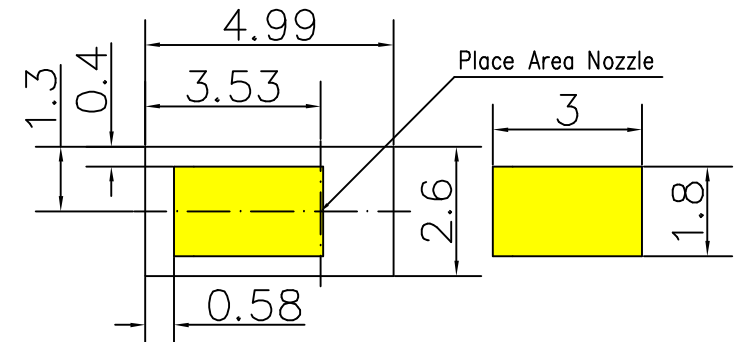
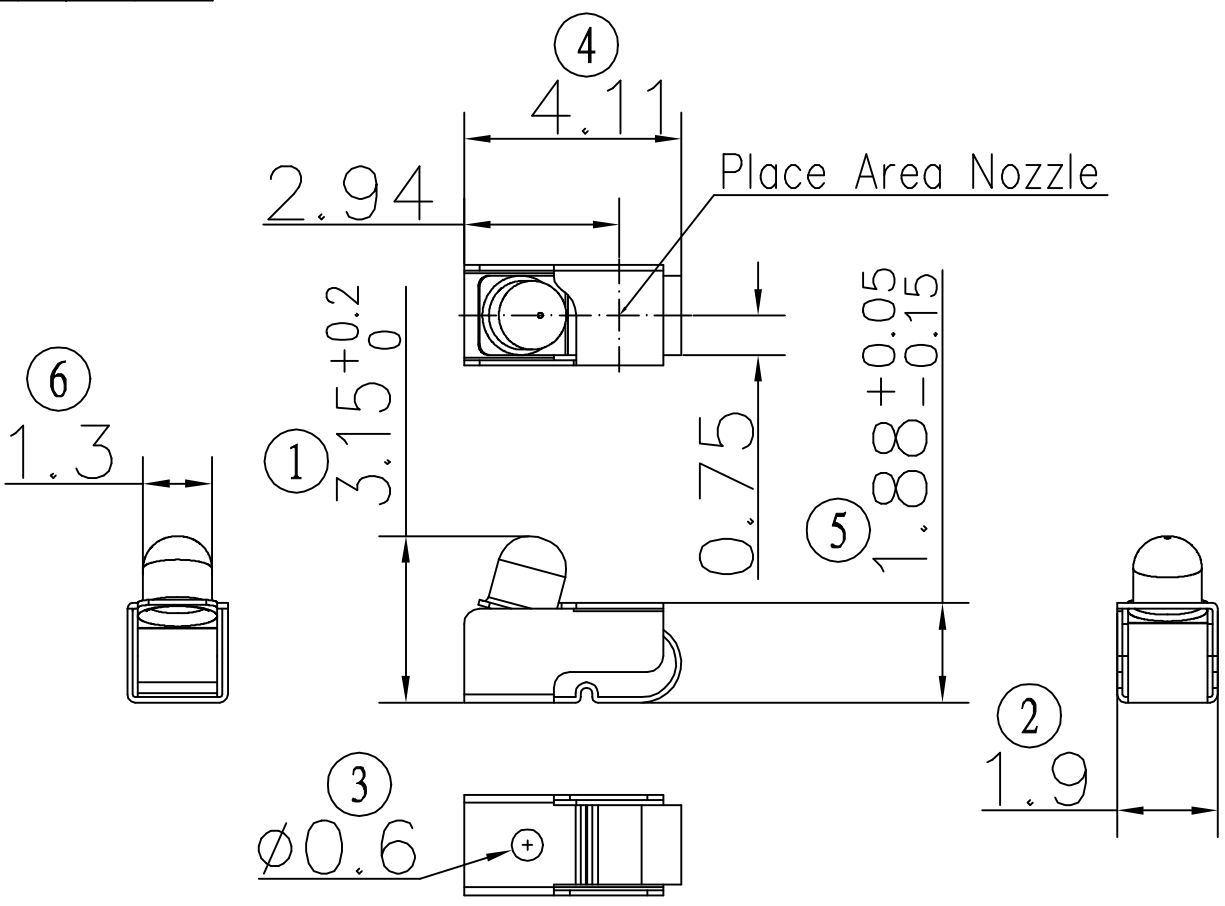
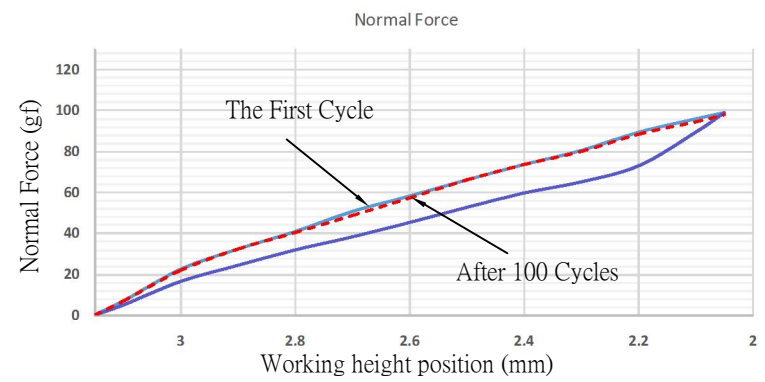


01 | 12/25-'13

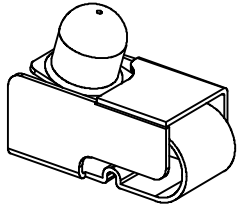


RECOMMENDED SOLDERING PCB LAYOUT

TOLERANCE(.XX±0.05)



- Note:
1. Material: Beryllium Copper Thickness 0.10mm
  2. Electroplate:  
Gold Flash on contact area  
Gold Flash on solder area  
Nickel underplating over all
  3. Electrical Characteristics:  
3-1 Current Voltage: 12V  
3-2 Current Rate: 3A  
3-3 Contact Resistance: Normal Compression < 30mΩ
  4. Working Height of Application: 2.05~2.65 mm
  5. Spring Force Tolerance is ±20gf
  6. Operating Temperature: -20°C~+85°C



00	12/03-'13	Design creation
REV	Date	Description
DRAFT	DATE	<b>RoHS Compatible</b>
Bill Chang	12/03-'13	
CHECKER	DATE	
Jacky Lin	12/03-'13	
APPROVAL	DATE	SHEET
Jacky Lin	12/03-'13	1-2
		SCALE
		Not to scale
		UNIT
		mm

TOLERANCE/CLASS			
RANGE(mm)	1	2	3
≤30	±0.10	0.15	0.20
30< ≤120	±0.15	0.20	0.30
120< ≤300	±0.20	0.30	0.50
300<	±0.30	0.50	0.80
ANGLES	±2.5°		

**EMI STOP CORP.**  
EMI STOP  
EMISTOP  
QQ-32G

CUS P/N

A

B

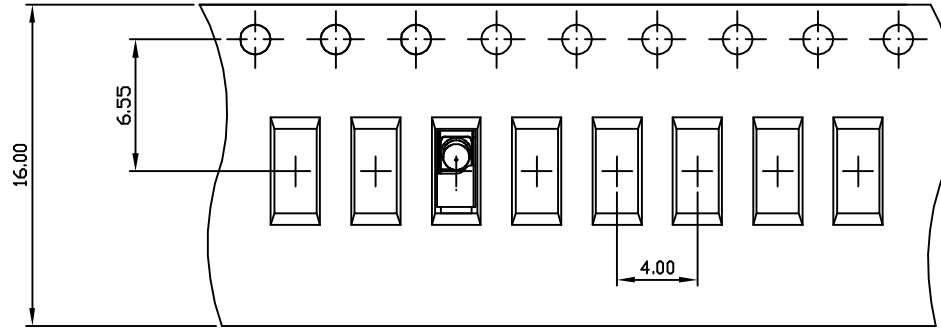
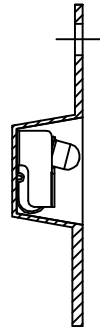
C

D

E

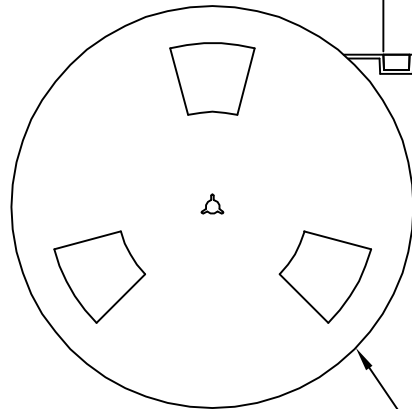
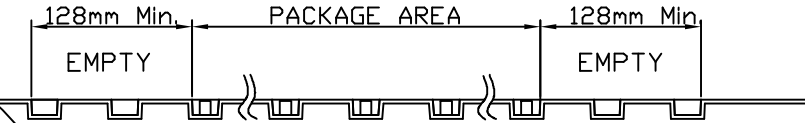
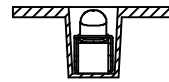
F

Side View



FEEDING DIRECTION

Front View



REEL(13")

Package Information:  
 1.Quantity Per Reel: 5000PCS  
 2.REEL: 13"X 16 mm

00	10/09-'19	Design creation		
REV	Date	Description		
DRAFT	Kevin Chen	DATE	10/09-'19	<b>RoHS Compatible</b>
CHECKER	Justin Wu	DATE	10/09-'19	
APPROVAL	Jacky Lin	DATE	10/09-'19	SHEET 2-2
		SCALE	Not to scale	UNIT mm

TOLERANCE/CLASS			
RANGE(mm)	1	2	3
≤30	±0.10	0.15	0.20
30<- ≤120	±0.15	0.20	0.30
120<- ≤300	±0.20	0.30	0.50
300<	±0.30	0.50	0.80
ANGLES	±2.5°		

**EMI STOP CORP.**

EMI STOP  
 QQ-32G

CUS P/N