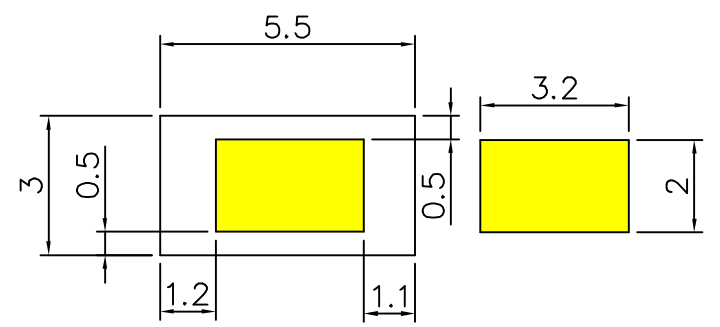
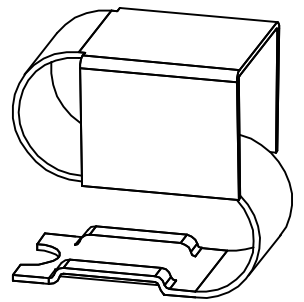
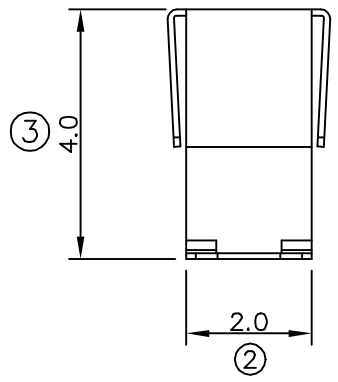
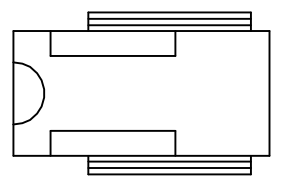
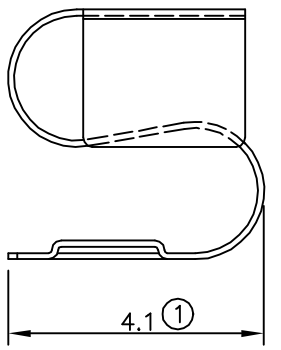
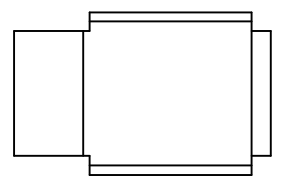
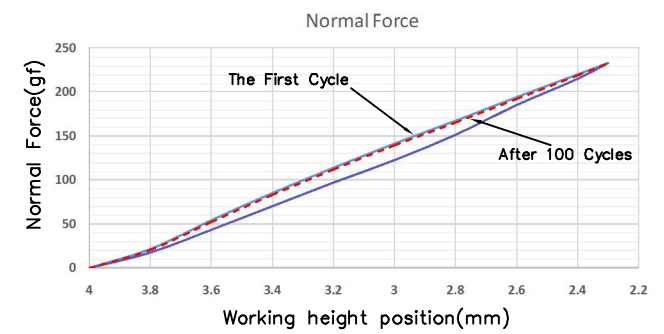


03/06/14-'04



RECOMMENDED SOLDERING PCB LAYOUT

TOLERANCE(.XX±0.05)



Note:

1. Material: Beryllium copper Thickness 0.1mm
2. Electroplate:
 Au >1u" on contact area
 Au >1u" on solder area
 Nickel underplating over all
3. Electrical Characteristics:
 3-1 Current Voltage: 12V
 3-2 Current Rate: 3A
 3-3 Contact Resistance: Normal Compression < 30mΩ
4. Working Height of Application: 2.30~3.70 mm
5. Spring Force Tolerance is ±20gf
6. Operating Temperature: -20℃~+85℃

00	06/14-'04	Design creation						
REV	Date	Description						
DRAFT	Jewel Liu	DATE	06/14-'04	RoHS Compatible				
CHECKER	Jacky Lin	DATE	06/14-'04					
APPROVAL	Gary Chen	DATE	06/14-'04					
		SHEET	1-2	SCALE	Not to scale	UNIT	mm	

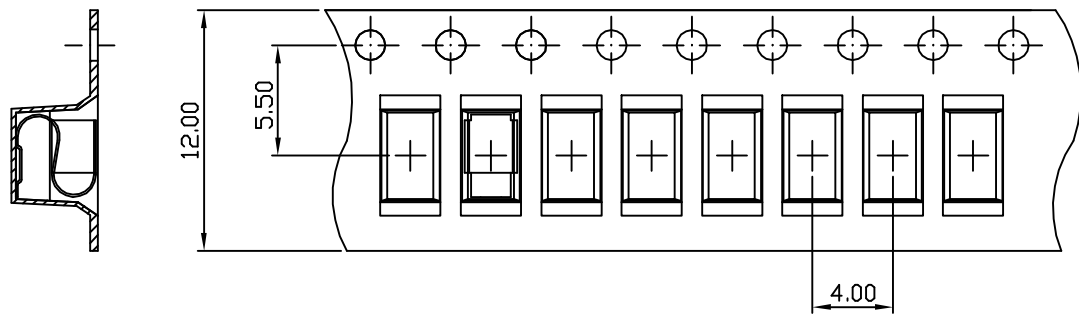
TOLERANCE/CLASS			
RANGE(mm)	1	2	3
≤30	±0.10	0.15	0.20
30< ≤120	±0.15	0.20	0.30
120< ≤300	±0.20	0.30	0.50
300<	±0.30	0.50	0.80
ANGLES	±2.5°		

EMI STOP CORP.

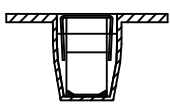
EMI STOP
EMISTOP PS-4AG

CUS P/N

00 11/06-'19

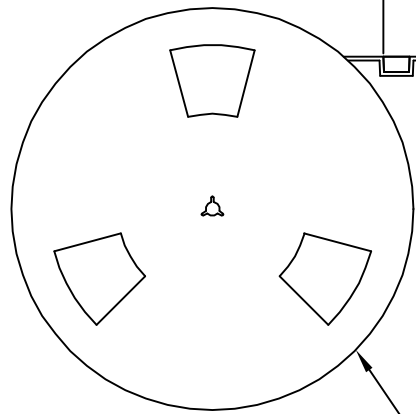
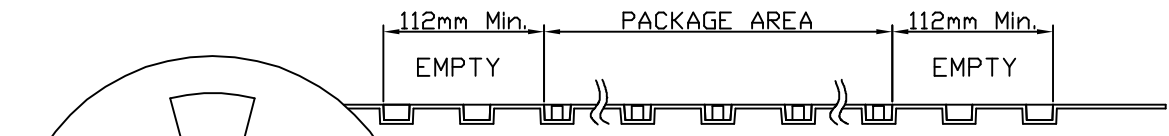


Side View



FEEDING DIRECTION

Front View




REEL(13")

Package Information:
 1.Quantity Per Reel: 4000PCS
 2.REEL: 13"X 12 mm

00	11/06-'19	Design creation		
REV	Date	Description		
DRAFT	Kevin Chen	DATE	11/06-'19	RoHS Compatible
CHECKER	Justin Wu	DATE	11/06-'19	
APPROVAL	Jacky Lin	DATE	11/06-'19	SHEET 2-2
		SCALE	Not to scale	UNIT mm

TOLERANCE/CLASS			
RANGE(mm)	1	2	3
≤30	±0.10	0.15	0.20
30<- ≤120	±0.15	0.20	0.30
120<- ≤300	±0.20	0.30	0.50
300<	±0.30	0.50	0.80
ANGLES	±2.5°		


EMI STOP CORP.
 EMI STOP
 EMISTOP PS-4AG

CUS P/N