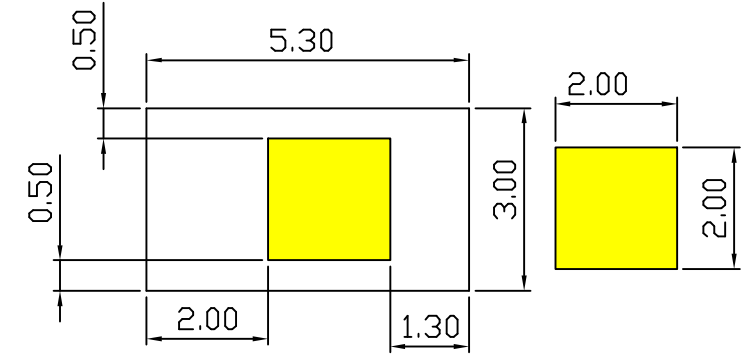
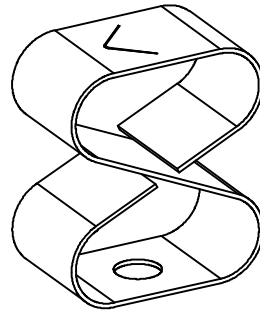
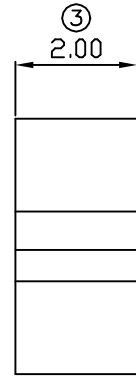
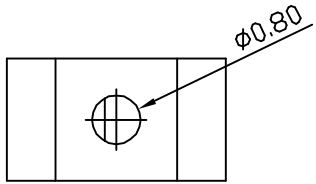
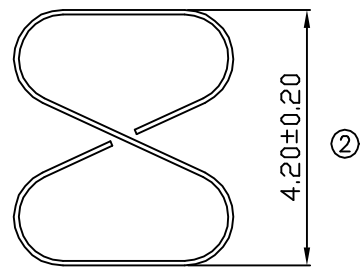
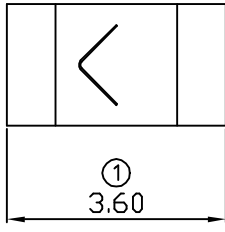
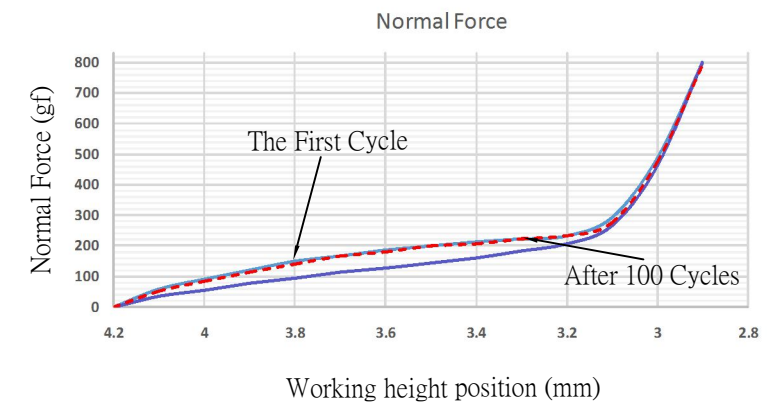


01 08/20-'13



RECOMMENDED SOLDERING PCB LAYOUT
TOLERANCE (.XX ± 0.05)

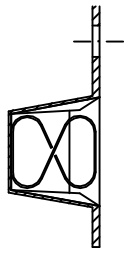


Note:
 1. Material: Beryllium Copper Thickness 0.08mm
 2. Electroplate:
 Gold Flash on contact area
 Gold Flash on solder area
 Nickel underplating over all
 3. Electrical Characteristics:
 3-1 Current Voltage: 12V
 3-2 Current Rate: 3A
 3-3 Contact Resistance: Normal Compression < 30mΩ
 4. Working Height of Application: 2.90~3.80 mm
 5. Spring Force Tolerance is ±20gf
 6. Operating Temperature: -20℃~+85℃

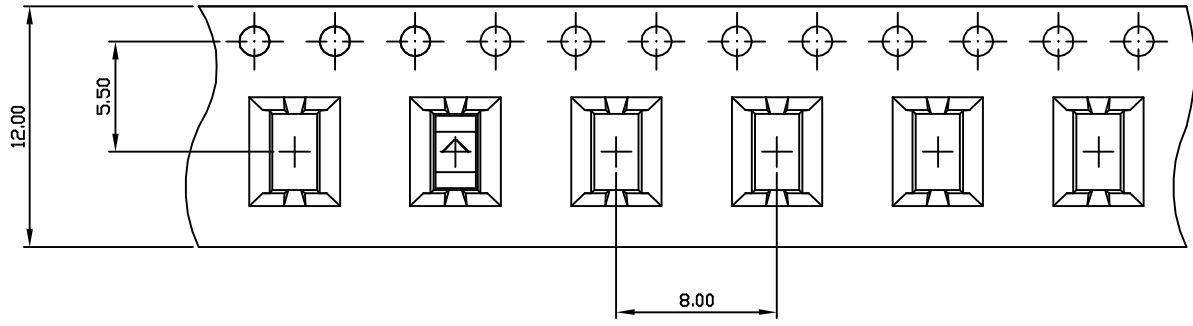
00	11/11-'10	Design creation		
REV	Date	Description		
DRAFT	Evan Chen	DATE	RoHS Compatible	
CHECKER	Benedict Liang	DATE		
APPROVAL	Jacky Lin	DATE	SHEET	SCALE
		11/11-'10	1-2	Not to scale

TOLERANCE/CLASS			
RANGE(mm)	1	2	3
≤30	±0.10	0.15	0.20
30<- ≤120	±0.15	0.20	0.30
120<- ≤300	±0.20	0.30	0.50
300<	±0.30	0.50	0.80
ANGLES	±2.5°		

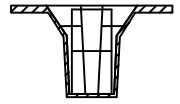
EMI STOP CORP.
 EMI STOP
 EMISTOP S8-42G
 CUS P/N



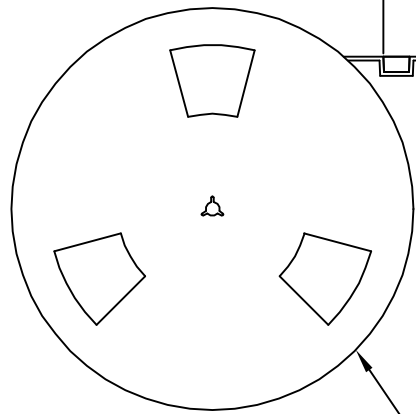
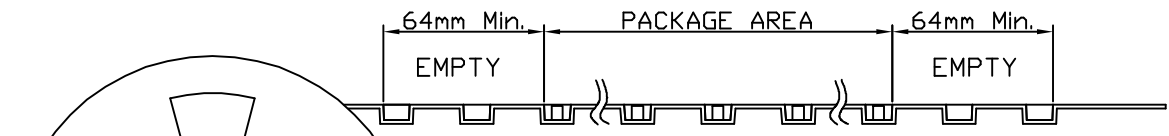
Side View



FEEDING DIRECTION



Front View



REEL(13")

Package Information:
 1.Quantity Per Reel: 2000PCS
 2.REEL: 13"X 12 mm

00	11/05-19'	Design creation		
REV	Date	Description		
DRAFT	Kevin Chen	DATE	11/05-19	RoHS Compatible
CHECKER	Justin Wu	DATE	11/05-19	
APPROVAL	Jacky Lin	DATE	11/05-19	SHEET 2-2
		SCALE	Not to scale	UNIT mm

TOLERANCE/CLASS			
RANGE(mm)	1	2	3
≤30	±0.10	0.15	0.20
30<- ≤120	±0.15	0.20	0.30
120<- ≤300	±0.20	0.30	0.50
300<	±0.30	0.50	0.80
ANGLES	±2.5°		

EMI STOP CORP.
 EMI STOP
 EMISTOP S8-42G
 CUS P/N