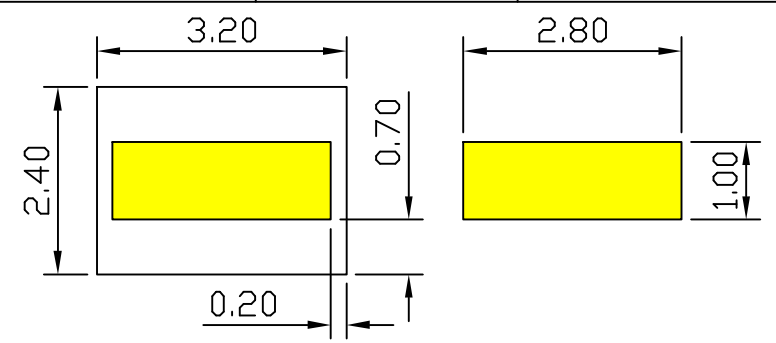
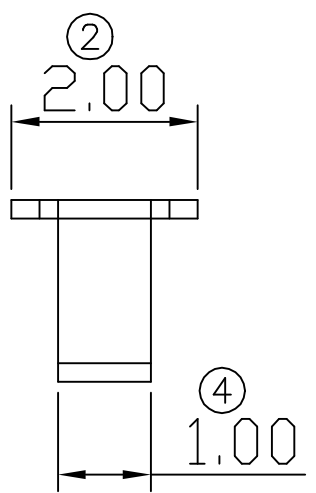
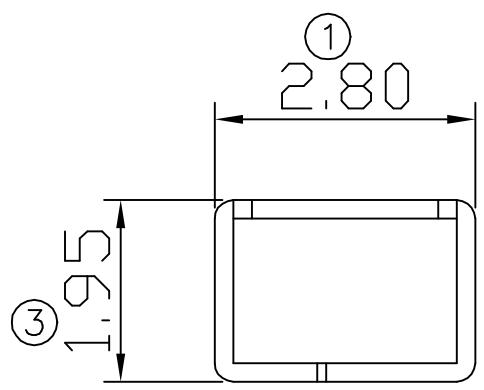
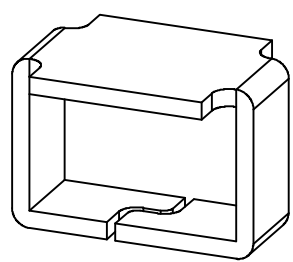
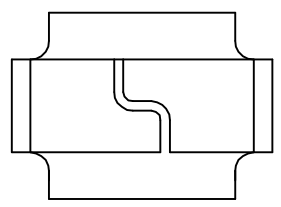


00 12/09-'13



RECOMMENDED SOLDERING PCB LAYOUT

TOLERANCE(.XX±0.05)



Note:  
 1. Material: Phosphorus bronze Thickness 0.20mm  
 2. Electroplate:  
     Au>1u" on contact area  
     Au>1u" on solder area  
     Nickel underplating over all  
 3. Electrical Characteristics:  
 3-1 Current Voltage: 12V  
 3-2 Current Rate: 3A  
 3-3 Contact Resistance: Normal Compression<30mΩ  
 4. Operating Temperature: -20℃~+85℃

01	12/09-'13	Add dimension control④
00	09/13-'13	Design creation
REV	Date	Description

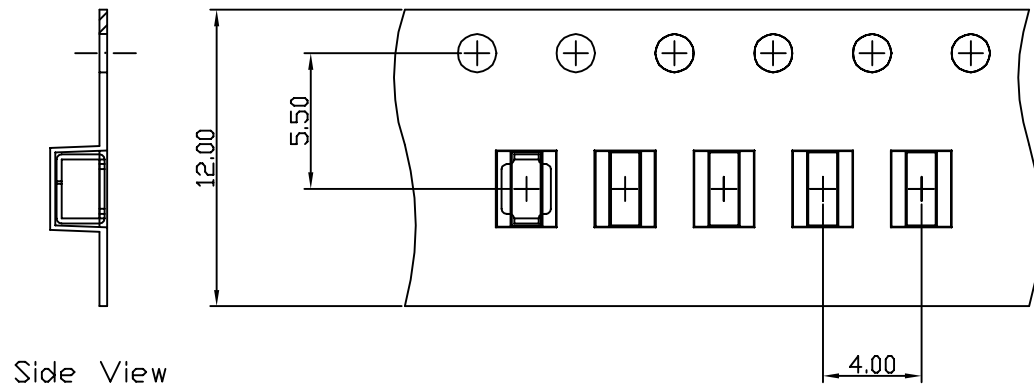
DRAFT	Bill Chang	DATE	09/13-'13	<b>RoHS Compatible</b>		
CHECKER	Gabby Weng	DATE	09/13-'13			
APPROVAL	Jacky Lin	DATE	09/13-'13			
SHEET	1-2	SCALE	Not to scale	UNIT	mm	

TOLERANCE/CLASS			
RANGE(mm)	1	2	3
≤30	±0.10	0.15	0.20
30<- ≤120	±0.15	0.20	0.30
120<- ≤300	±0.20	0.30	0.50
300<	±0.30	0.50	0.80
ANGLES	±2.5°		

**EMI STOP CORP.**

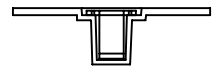
EMI STOP  
 EMISTOP  
 SQ-20A8G

CUS P/N

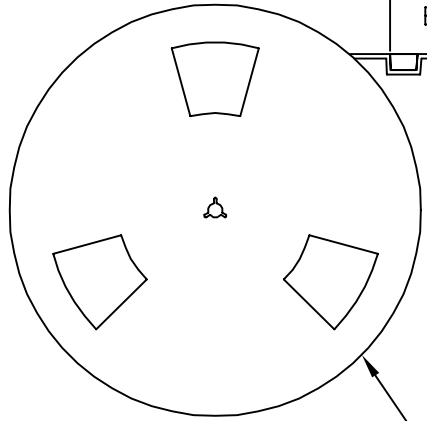
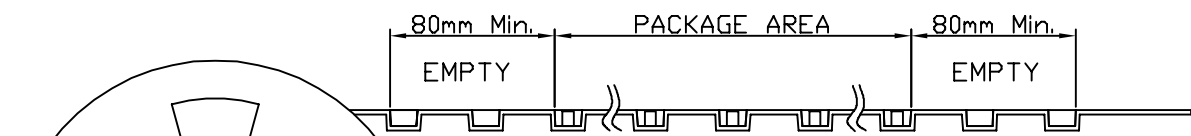


Side View

FEEDING DIRECTION



Front View



REEL(7")

Package Information:  
 1.Quantity Per Reel: 2000PCS  
 2.REEL: 7"X 12 mm

00	11/04-'19	Design creation		
REV	Date	Description		
DRAFT Andy □		DATE 11/04-'19	<b>RoHS Compatible</b>	
CHECKER Justin Wu		DATE 11/04-'19		
APPROVAL Jacky Lin		DATE 11/04-'19	SHEET 2-2	SCALE Not to scale
		UNIT mm		

TOLERANCE/CLASS			
RANGE(mm)	1	2	3
≤30	±0.10	0.15	0.20
30<- ≤120	±0.15	0.20	0.30
120<- ≤300	±0.20	0.30	0.50
300<	±0.30	0.50	0.80
ANGLES	±2.5°		

**EMI STOP CORP.**  
 EMI STOP  
 EMISTOP  
**SQ-20A8G**

CUS P/N