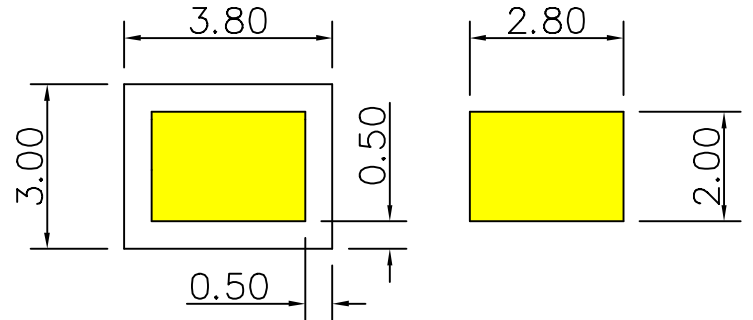
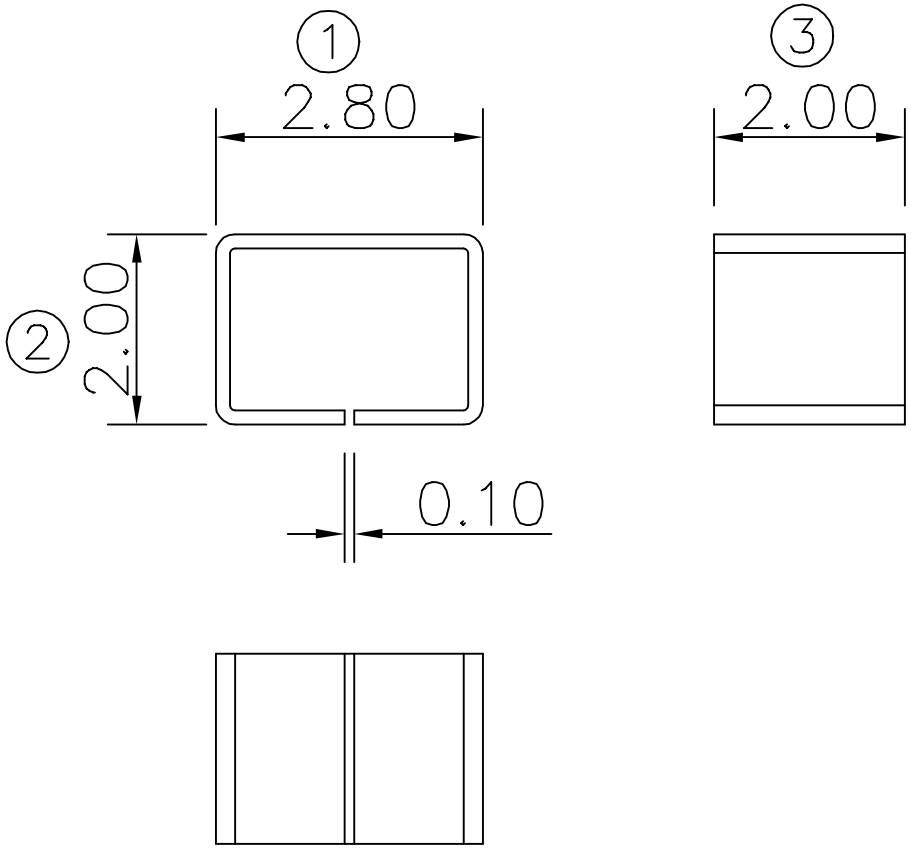
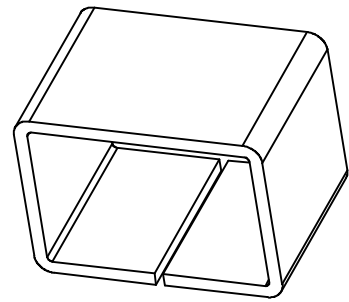


04 07/03



RECOMMENDED SOLDERING PCB LAYOUT

TOLERANCE(.XX±0.05)



Note:

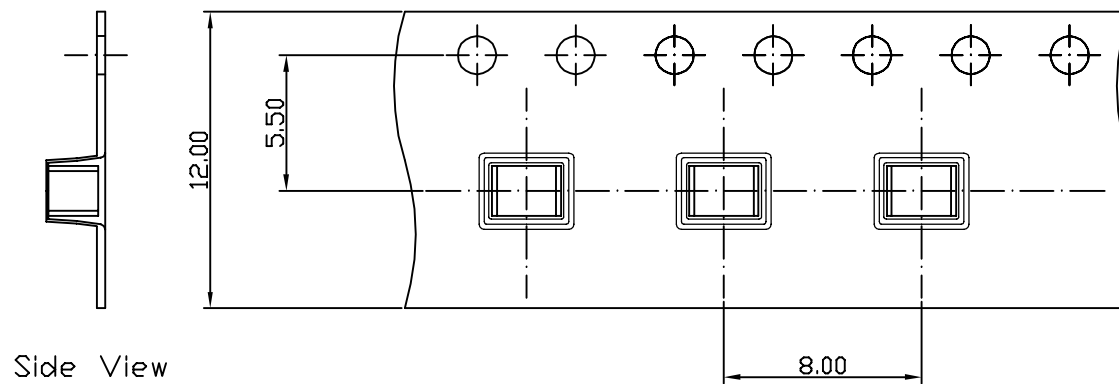
1. Material: Phosphorus bronze Thickness 0.15mm
2. Electroplate:
  - Gold Flash on contact area
  - Gold Flash on solder area
  - Nickel underplating over all
3. Electrical Characteristics:
  - 3-1 Current Voltage: 12V
  - 3-2 Current Rate: 3A
  - 3-3 Contact Resistance: Normal Compression <math>< 30\text{m}\Omega</math>
4. Operating Temperature:  $-20^{\circ}\text{C} \sim +85^{\circ}\text{C}$

00	01/08-'08	Design creation	
REV	Date	Description	
DRAFT	DATE	<b>RoHS</b> <b>Compatible</b>	
Peggy Lue	01/08-'08		
CHECKER	DATE		
Jacky Lin	01/08-'08		
APPROVAL	DATE	SHEET	SCALE
Gary Chen	01/08-'08	1-2	Not to scale
		UNIT	mm

TOLERANCE/CLASS			
RANGE(mm)	1	2	3
≤30	±0.10	0.15	0.20
30< ≤120	±0.15	0.20	0.30
120< ≤300	±0.20	0.30	0.50
300<	±0.30	0.50	0.80
ANGLES	±2.5°		

**EMI STOP CORP.**  
 EMI STOP  
 EMISTOP S0-20BG

CUS P/N

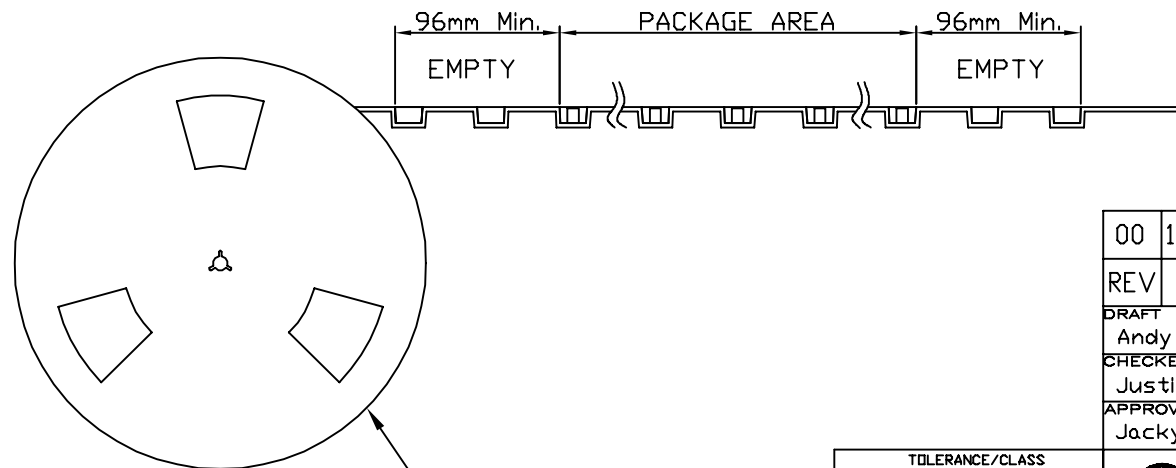


Side View

FEEDING DIRECTION



Front View



Package Information:  
 1.Quantity Per Reel: 600PCS  
 2.REEL: 7"X 12 mm

00	11/20-'19	Design creation	
REV	Date	Description	
DRAFT	Andy □	DATE	11/20-'19
CHECKER	Justin Wu	DATE	11/20-'19
APPROVAL	Jacky Lin	DATE	11/20-'19
		SHEET	2-2
		SCALE	Not to scale
		UNIT	mm

**RoHS  
Compatible**

TOLERANCE/CLASS			
RANGE(mm)	1	2	3
≤30	±0.10	0.15	0.20
30<- ≤120	±0.15	0.20	0.30
120<- ≤300	±0.20	0.30	0.50
300<	±0.30	0.50	0.80
ANGLES	±2.5°		



**EMI STOP CORP.**

EMI STOP

EMISTOP  
SQ-20BG

CUS P/N