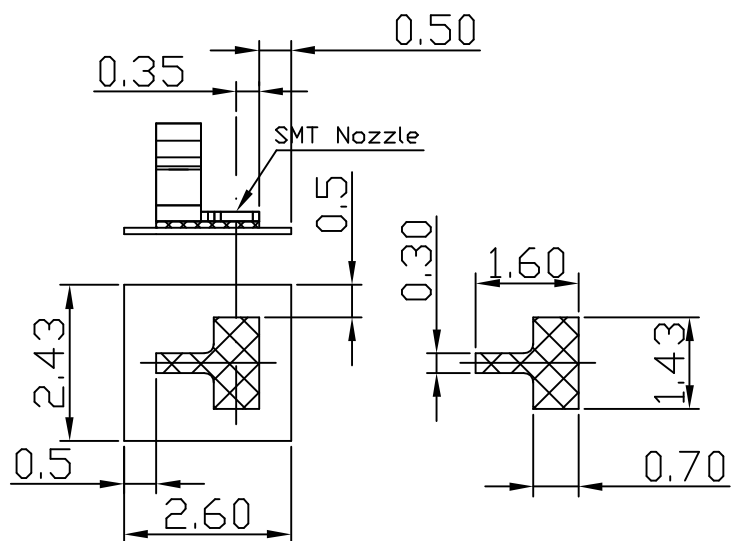
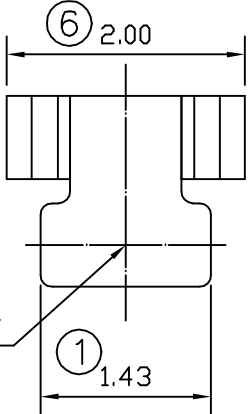
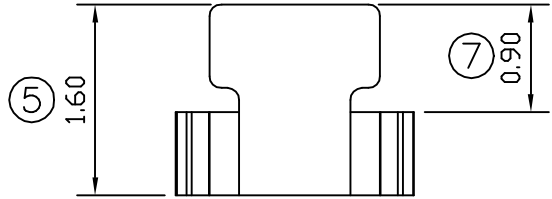
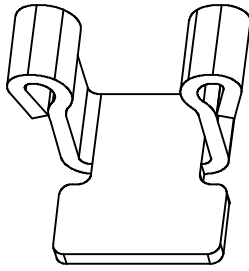
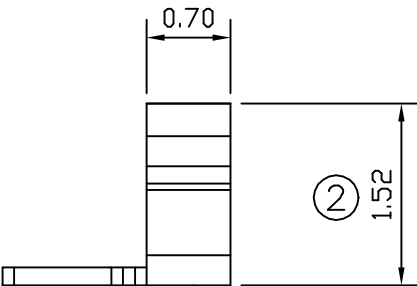
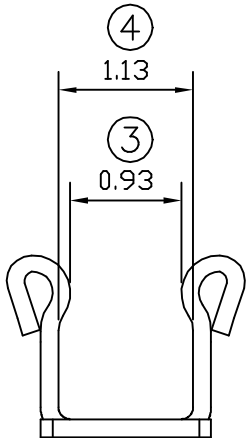


02 05/23-'16



RECOMMENDED SOLDERING PCB LAYOUT

TOLERANCE(.XX±0.05)



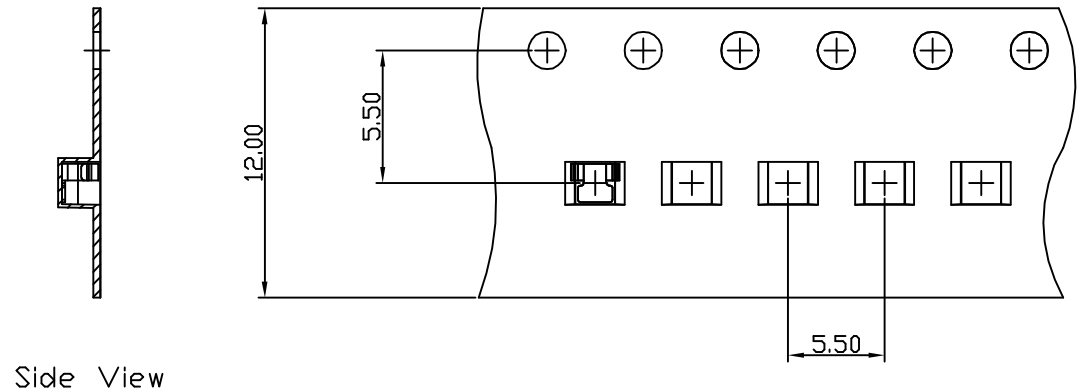
- Note:
1. Material: Stainless steel Thickness 0.15mm
  2. Electroplate:  
Matte Sn over all  
Nickel underplating over all
  3. Operating Temperature: -20℃~+85℃
  4. Recommended conditions Ø1.15mm

TOLERANCE/CLASS			
RANGE(mm)	1	2	3
≤30	±0.10	0.15	0.20
30<- ≤120	±0.15	0.20	0.30
120<- ≤300	±0.20	0.30	0.50
300<	±0.30	0.50	0.80
ANGLES	±2.5°		

00	03/14-'16	Design creation			
REV	Date	Description			
DRAFT	Qwen Chiang	DATE	03/14-'16	<b>RoHS</b> Compatible	
CHECKER	Justin Wu	DATE	03/14-'16		
APPROVAL	Jacky Lin	DATE	03/14-'16	SHEET	1-2
		SCALE	Not to scale	UNIT	mm
<b>EMI STOP CORP.</b> EMI STOP					
		EMISTOP	SV-11A3M		
		CUS P/N			

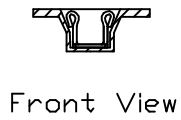
A  
B  
C  
D  
E  
F

A  
B  
C  
D  
E  
F

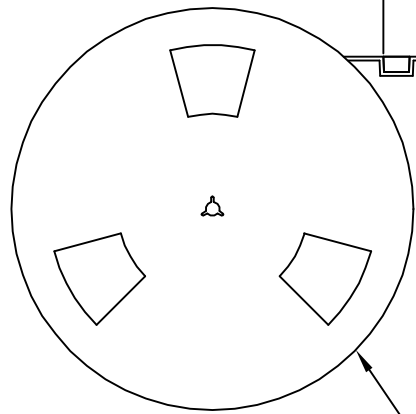
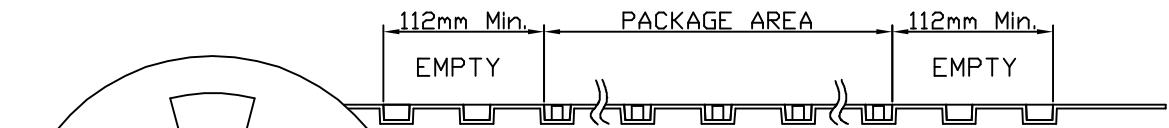


Side View

FEEDING DIRECTION



Front View



REEL(13")

Package Information:  
1.Quantity Per Reel: 8800PCS  
2.REEL: 13"X 12 mm

TOLERANCE/CLASS			
RANGE(mm)	1	2	3
≤30	±0.10	0.15	0.20
30<- ≤120	±0.15	0.20	0.30
120<- ≤300	±0.20	0.30	0.50
300<	±0.30	0.50	0.80
ANGLES	±2.5°		

00	11/04-'19	Design creation		
REV	Date	Description		
DRAFT	Andy □	DATE	11/04-'19	<b>RoHS Compatible</b>
CHECKER	Justin Wu	DATE	11/04-'19	
APPROVAL	Jacky Lin	DATE	11/04-'19	SHEET 2-2
		SCALE	Not to scale	UNIT mm

**EMI STOP CORP.**

EMISTOP SV-11A3M CUS P/N