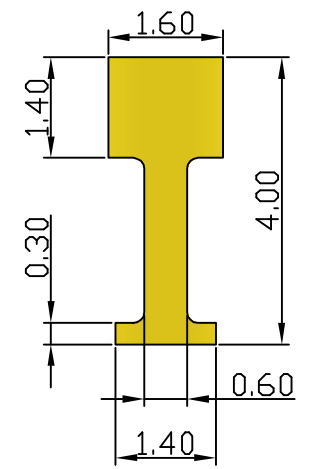
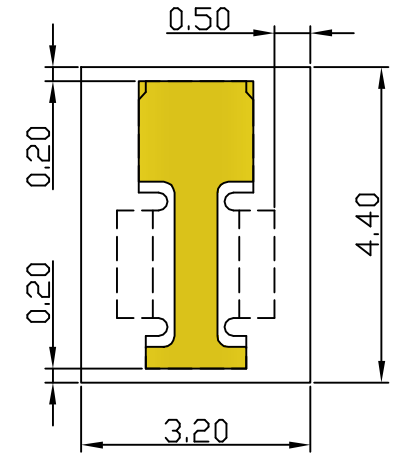
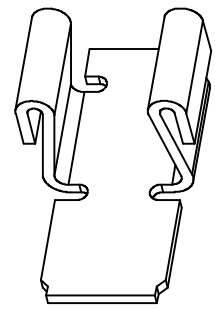
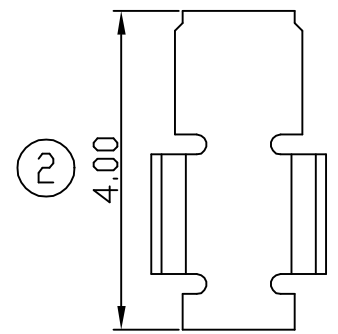
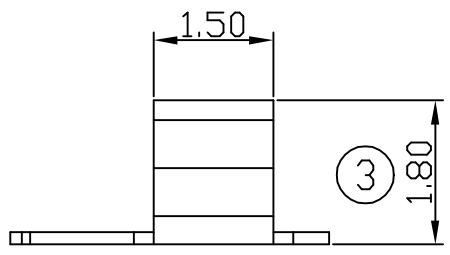
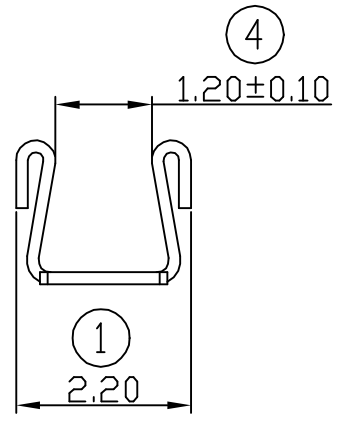
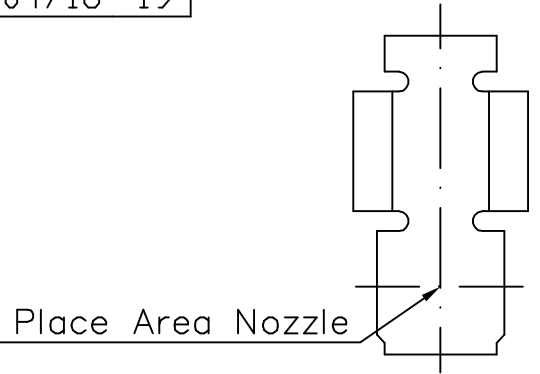


00 04/18-'19

A
B
C
D
E
F




RECOMMENDED SOLDERING PCB LAYOUT
TOLERANCE(.XX±0.05)

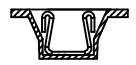
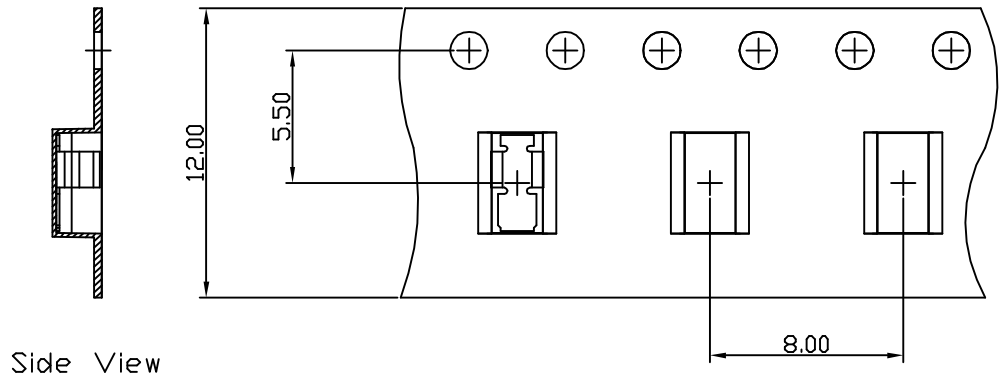
Note:
 1. Material: Phosphorus bronze Thickness 0.15mm
 2. Electroplate:
 Matte Sn over all
 Nickel underplating over all
 3. Operating Temperature: -20℃~+85℃
 4. Recommended conditions Ø1.37mm

00	04/18-'19	Design creation		
REV	Date	Description		
DRAFT	Robin Liao	DATE	04/18-'19	RoHS Compatible
CHECKER	Justin Wu	DATE	04/18-'19	
APPROVAL	Jacky Lin	DATE	04/18-'19	SHEET 1-1
		SCALE	Not to scale	UNIT mm

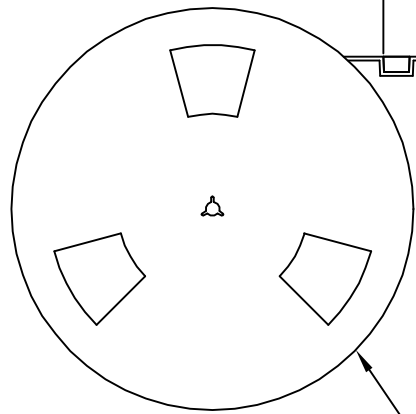
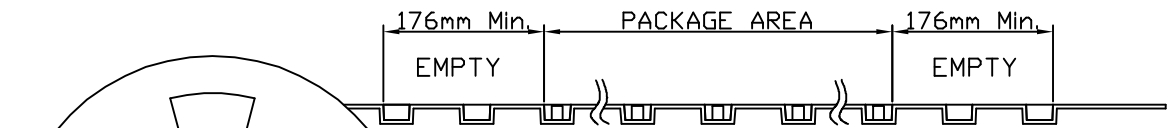
TOLERANCE/CLASS			
RANGE(mm)	1	2	3
≤30	±0.10	0.15	0.20
30<- ≤120	±0.15	0.20	0.30
120<- ≤300	±0.20	0.30	0.50
300<	±0.30	0.50	0.80
ANGLES	±2.5°		

 **EMI STOP CORP.**
 EMI STOP
 EMISTOP SV-12A1M
 CUS P/N

1 2 3 4 5 6 7 8



Front View



REEL(13")

Package Information:
 1.Quantity Per Reel: 4000PCS
 2.REEL: 13"X 12 mm

TOLERANCE/CLASS			
RANGE(mm)	1	2	3
≤30	±0.10	0.15	0.20
30<- ≤120	±0.15	0.20	0.30
120<- ≤300	±0.20	0.30	0.50
300<	±0.30	0.50	0.80
ANGLES	±2.5°		

00	11/04-'19	Design creation		
REV	Date	Description		
DRAFT	Andy □	DATE	RoHS Compatible	
CHECKER	Justin Wu	DATE		
APPROVAL	Jacky Lin	DATE		
	11/04-'19	11/04-'19	SHEET	SCALE
			2-2	Not to scale
			mm	UNIT
				⊕

 **EMI STOP CORP.**

EMISTOP SV-12A1M CUS P/N