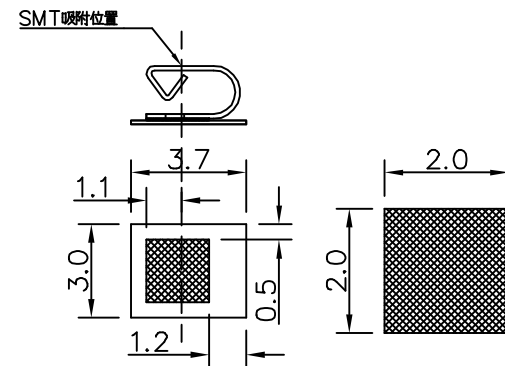
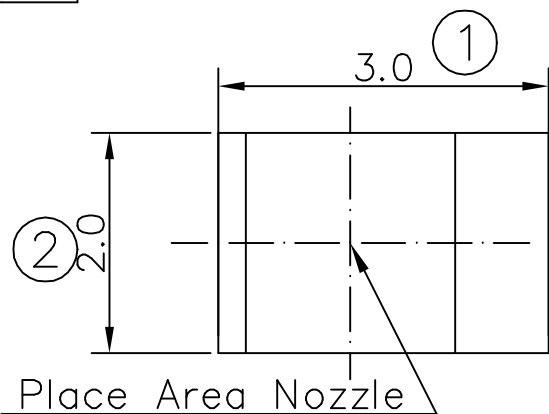
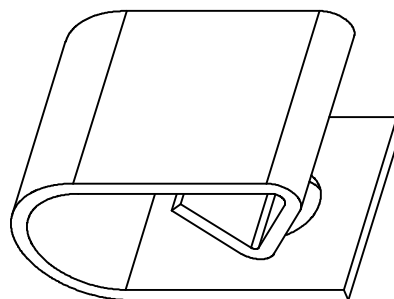
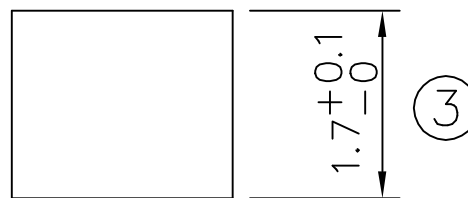
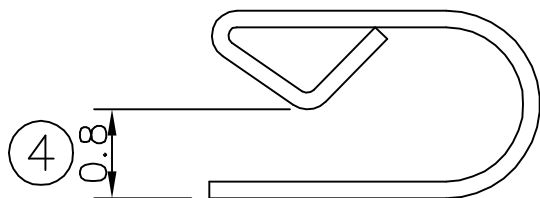


0012/06-'13



RECOMMENDED SOLDERING PCB LAYOUT

TOLERANCE(.XX±0.05)

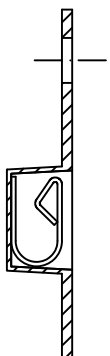


Note:

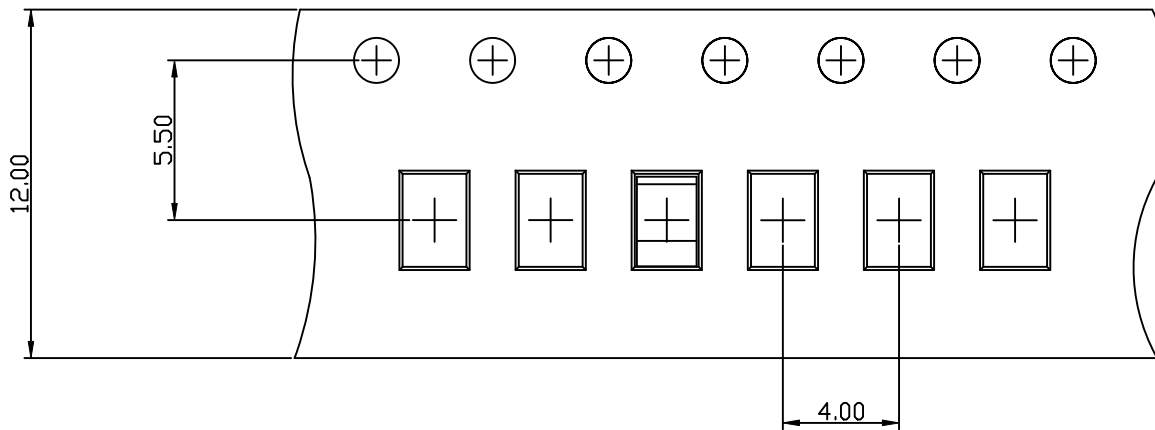
1. Material: BeCu Thickness 0.15mm
2. Electroplate:
Matte Sn over all
Nickel underplating over all
3. Operating Temperature: -20℃~+85℃
4. Recommended conditions $\phi 1.27\text{mm}$

TOLERANCE/CLASS			
RANGE(mm)	1	2	3
≤30	±0.10	0.15	0.20
30<- ≤120	±0.15	0.20	0.30
120<- ≤300	±0.20	0.30	0.50
300<	±0.30	0.50	0.80
ANGLES	±2.5°		

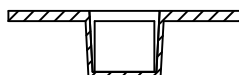
00	02/05-'07	Design creation			
REV	Date	Description			
DRAFT	DATE	RoHS Compatible			
Dick Chang	02/05-'07				
CHECKER	DATE				
Jacky Lin	02/05-'07				
APPROVAL	DATE	SHEET	SCALE	UNIT	
Gary Chen	02/05-'07	1-2	Not to scale	mm	
		EMI STOP CORP.			
EMISTOP		CUS P/N			
SU-17S					



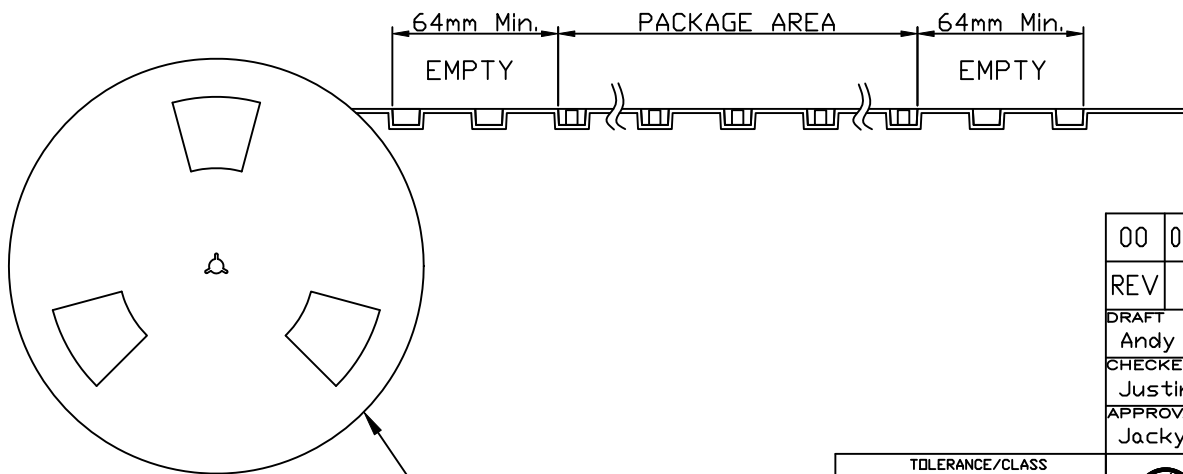
Side View



FEEDING DIRECTION



Front View



REEL(13")

Package Information:
 1.Quantity Per Reel: 7000PCS
 2.REEL: 13"X 12 mm

00	07/09-'19	Design creation			
REV	Date	Description			
DRAFT	DATE	RoHS Compatible			
Andy □	07/09-'19				
CHECKER	DATE				
Justin Wu	07/09-'19				
APPROVAL	DATE	SHEET	SCALE	UNIT	
Jacky Lin	07/09-'19	2-2	Not to scale	mm	

TOLERANCE/CLASS			
RANGE(mm)	1	2	3
≤30	±0.10	0.15	0.20
30<- ≤120	±0.15	0.20	0.30
120<- ≤300	±0.20	0.30	0.50
300<	±0.30	0.50	0.80
ANGLES	±2.5°		



EMI STOP

EMI STOP CORP.

EMISTOP
SU-17S

CUS P/N