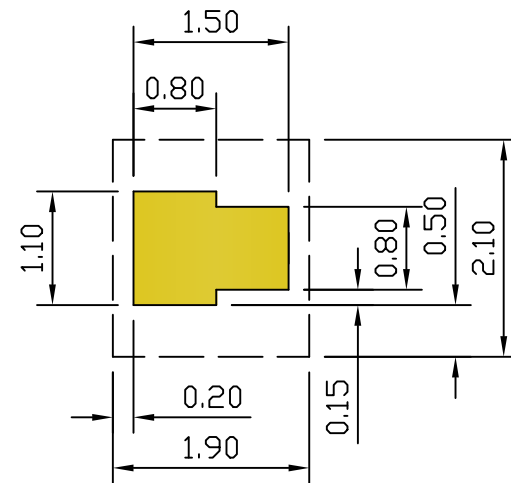
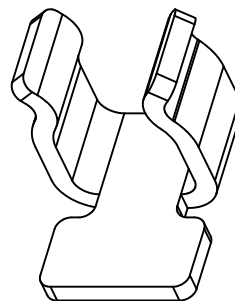
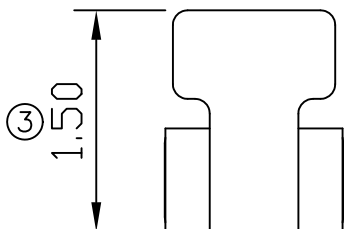
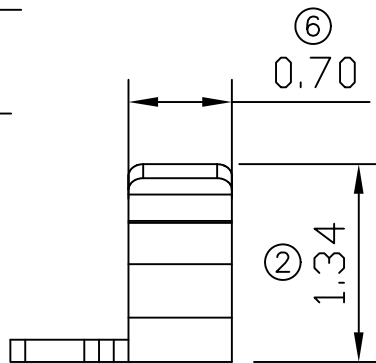
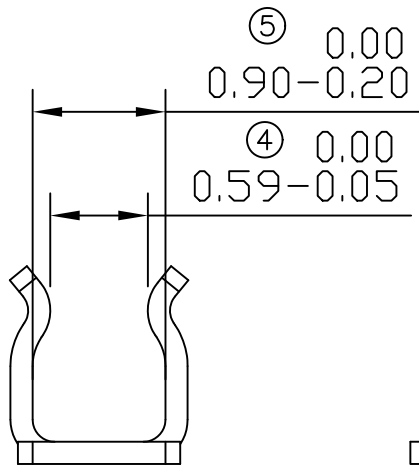
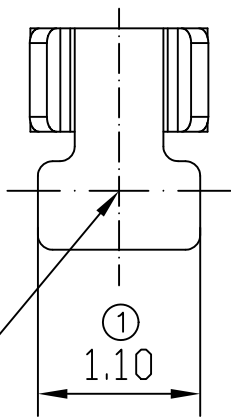


Place Area Nozzle



RECOMMENDED SOLDERING PCB LAYOUT

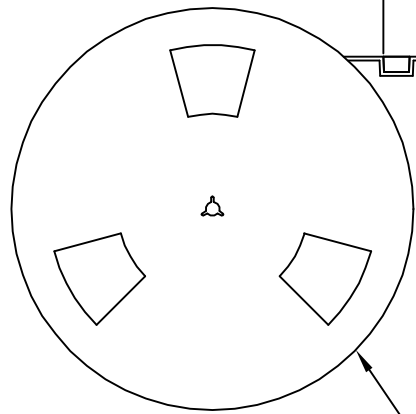
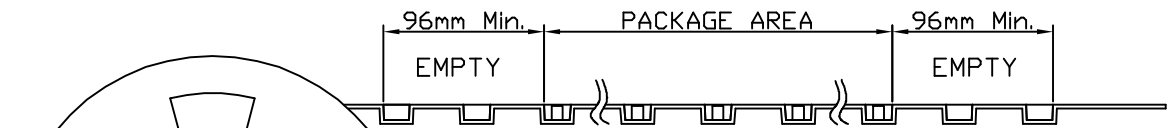
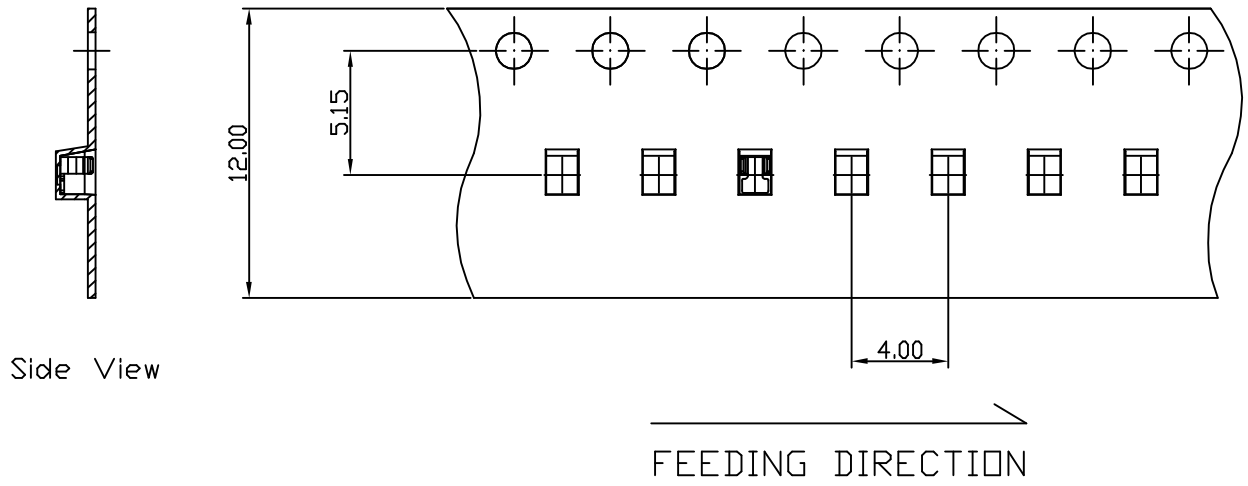
TOLERANCE(.XX±0.05)

Note:

- 1. Material: Stainless steel Thickness 0.15mm
- 2. Electroplate:
Matte Sn over all
Nickel underplating over all
- 3. Operating Temperature: -20℃~+85℃
- 4. Recommended conditions $\varnothing 0.64\sim 0.81\text{mm}$

TOLERANCE/CLASS			
RANGE(mm)	1	2	3
≤30	±0.10	0.15	0.20
30<- ≤120	±0.15	0.20	0.30
120<- ≤300	±0.20	0.30	0.50
300<	±0.30	0.50	0.80
ANGLES	±2.5°		


00	05/22-'12	Design creation			
REV	Date	Description			
DRAFT	Hardy Hsieh	DATE	05/22-'12	RoHS Compatible	
CHECKER	Jacky Lin	DATE	05/22-'12		
APPROVAL	Jacky Lin	DATE	05/22-'12	SHEET	1-2
		SCALE	Not to scale	UNIT	mm
		EMI STOP CORP.			
EMISTOP		SV-08A2M		CUS P/N	



Package Information:
 1.Quantity Per Reel: 3000PCS
 2.REEL: 7"X 12 mm

00	10/09-'19	Design creation		
REV	Date	Description		
DRAFT	Andy □	DATE	RoHS Compatible	
CHECKER	Justin Wu	DATE		
APPROVAL	Jacky Lin	DATE		
	10/09-'19	10/09-'19	SHEET	SCALE
			2-2	Not to scale
			mm	UNIT
				⊕

TOLERANCE/CLASS			
RANGE(mm)	1	2	3
≤30	±0.10	0.15	0.20
30<- ≤120	±0.15	0.20	0.30
120<- ≤300	±0.20	0.30	0.50
300<	±0.30	0.50	0.80
ANGLES	±2.5°		

 **EMI STOP CORP.**
 EMI STOP
 EMISTOP SV-08A2M CUS P/N