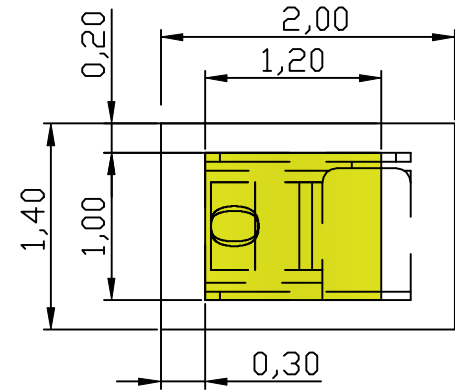
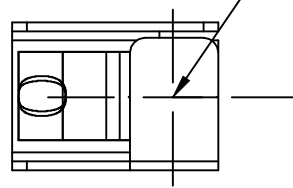


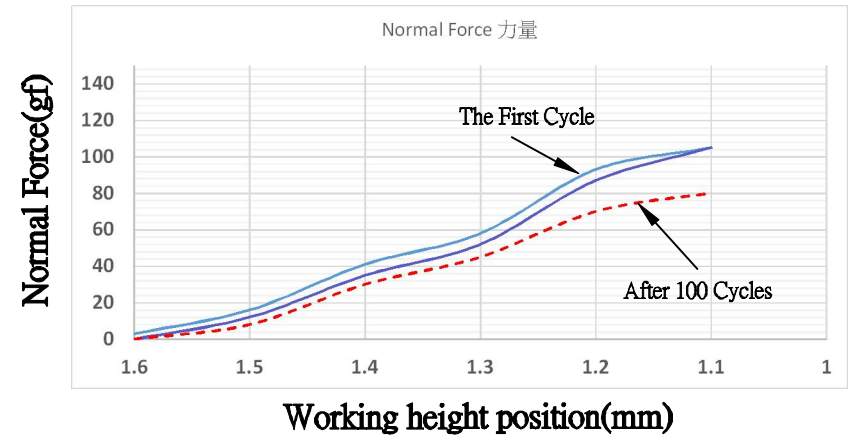
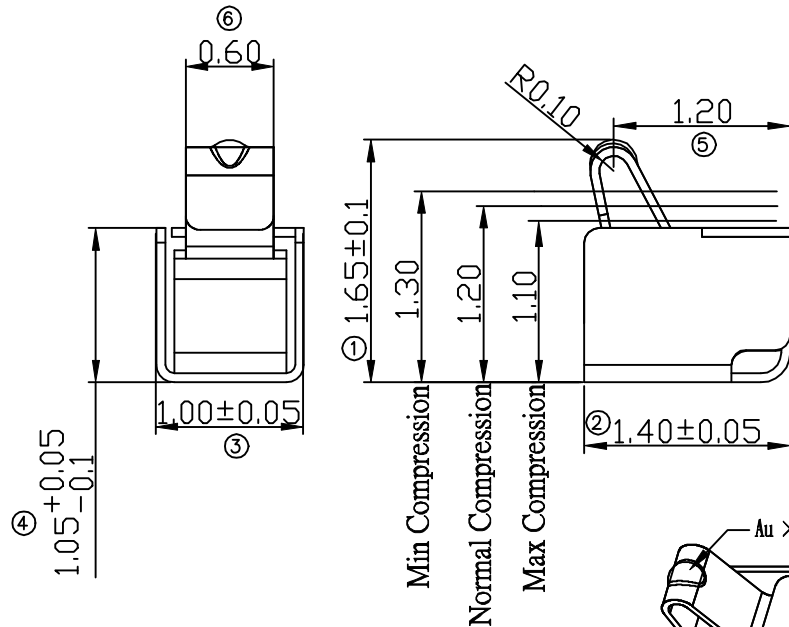


Place Area NOZZLE



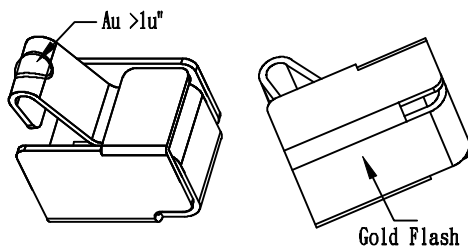
RECOMMENDED SOLDERING PCB LAYOUT

TOLERANCE(.XX±0.05)




Note:

1. Material: Stainless Steel Thickness 0.06mm
2. Electroplate:
 Au >1u" on contact area
 Gold Flash on solder area
 Nickel underplating over all
3. Electrical Characteristics:
 3-1 Current Voltage: 12V
 3-2 Current Rate: 3A
 3-3 Contact Resistance: Normal Compression < 50mΩ
4. Working Height of Application: 1.30~1.10 mm
5. Spring Force Tolerance is ±20gf
6. Operating Temperature: -20℃~+85℃



TOLERANCE/CLASS			
RANGE(mm)	1	2	3
≤30	+ 0.1	+ 0.15	+ 0.2
30< - ≤120	+ 0.15	+ 0.2	+ 0.3
120< - ≤300	+ 0.2	+ 0.3	+ 0.5
300<	+ 0.3	+ 0.5	+ 0.8
ANGLES	+ 2.5°		

01	06/29-'21	Appearance update			
DRAFT	Hardy Hsieh	DATE	07/22-'19	RoHS Compatible	
CHECKER	Justin Wu	DATE	07/22-'19		
APPROVAL	Timothy Chen	DATE	07/22-'19		
SHEET	1-2	SCALE	Not to scale	UNIT	mm


EMI STOP CORP.
 EMI STOP
 EMISTOP SQT-16Q1G
 CUS P/N