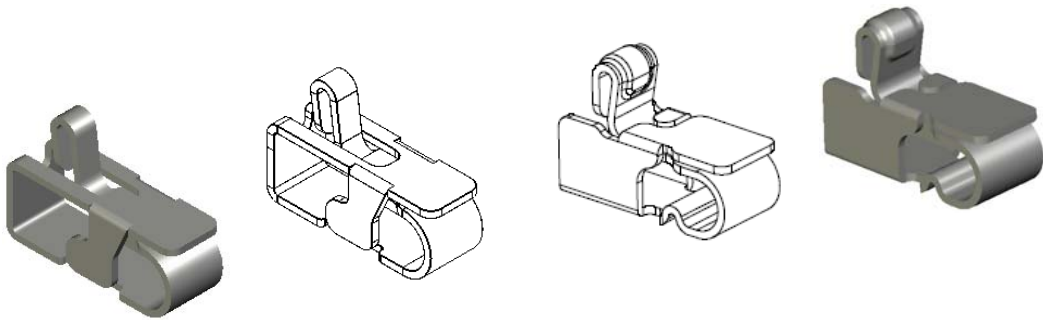




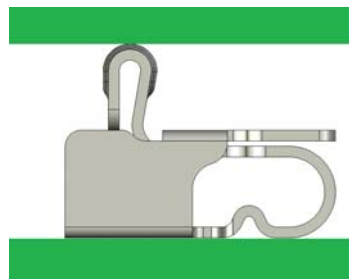
SUPER TINY SPRING -

QTT SERIES

- Stable contact point and resistance
- Anti overstressing and potential damage
- Anti-hook design



Grounding / EMI / Signal Solution



← Antenna/PCB

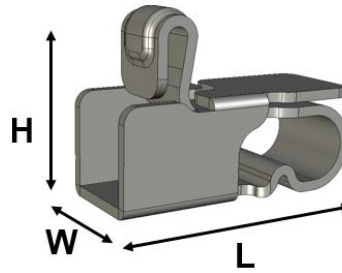
← QTT Spring

← PCB

Applications

- Antenna Contact
- Grounding Contact
- Signal Transmission

QTT series



P/N	Plating	Material	L (mm)	W (mm)	H (mm)	Working Height (mm)
QTT-08A1G	Gold	Stainless Steel	1.80	1.00	0.80	0.35 ~ 0.50
QTT-10A2G	Gold	Titanium Copper	2.20	1.00	1.15	0.55 ~ 0.75
QTT-11K1G	Gold	Titanium Copper	2.50	0.96	1.10	0.65 ~ 0.90
QTT-13G	Gold	Titanium Copper	2.37	1.00	1.30	0.80 ~ 1.00
QTT-15A2G	Gold	Titanium Copper	2.20	1.00	1.55	0.70 ~ 1.15
QTT-16G	Gold	Stainless Steel	2.20	1.00	1.60	0.90 ~ 1.20
QTT-18G	Gold	Titanium Copper	2.50	1.00	1.80	1.10 ~ 1.40
QTT-19Q1G	Gold	Titanium Copper	2.20	1.00	1.90	1.20 ~ 1.50
QTT-21G	Gold	Titanium Copper	2.93	0.96	2.10	1.30 ~ 1.70
QTT-23G	Gold	Copper Alloy	3.40	1.40	2.30	1.30 ~ 1.90
QTT-25G	Gold	Titanium Copper	3.55	1.00	2.50	1.50 ~ 2.10
QTT-26G-1	Gold	Copper Alloy	3.40	1.40	2.65	1.60 ~ 2.20
QTT-30Q1G	Gold	Titanium Copper	2.50	1.20	3.00	2.10 ~ 2.60
QTT-35A2G	Gold	Titanium Copper	3.70	1.50	3.50	1.95 ~ 3.00

< contact us > +886-2-8911-3450 | service@emistop.com

