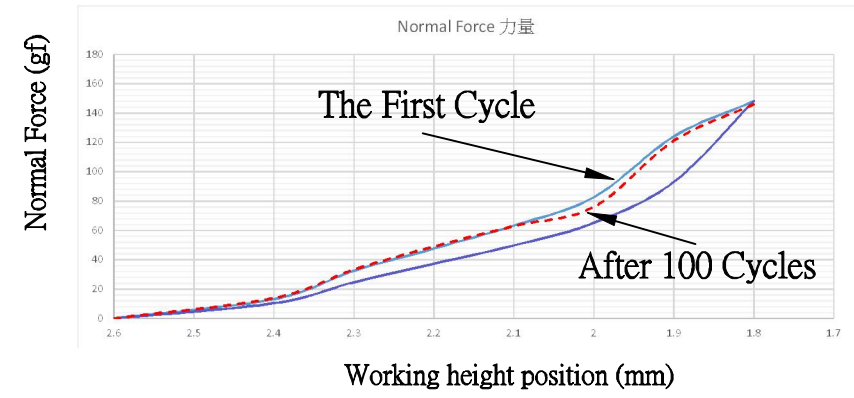
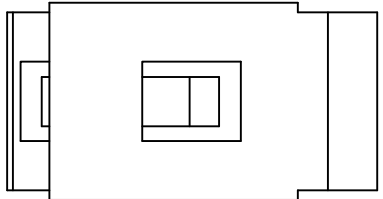
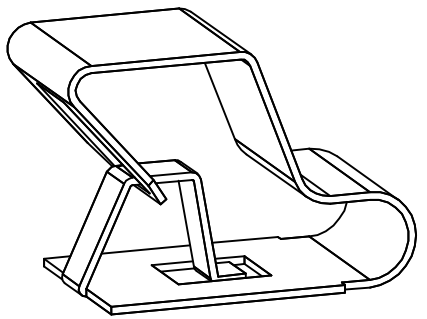


PCB Recommend Layout Pattern



Note:

1. Material: Copper Alloy Thickness 0.08 mm
2. Electroplate: Au > 1u" on contact area Au > 1u" on solder area Nickel underplating over all
3. Electrical Characteristics:
 - a. Current Voltage: 12V
 - b. Current Rate: 3A
 - c. Contact Resistance; Normal Compression <30mΩ
4. Working Height of Application: 1.8mm~2.3mm
5. Spring Force Tolerance is ±20gf
6. Operating Temperature: -20℃~+85℃



01	2021-12-13	Update Working Height			
DRAFT	DATE	RoHS Compatible			
Lydia Tsai	2021-12-13				
CHECKER	DATE				
Justin Wu	2021-12-13	SHEET	SCALE	UNIT	☉
APPROVAL	DATE	1-2	Not to scale	mm	
Timothy Chen	2021-12-13				

TOLERANCE/CLASS			
RANGE(mm)	A	B	C
≤30	±0.10	0.15	0.20
30 < ~ ≤120	±0.15	0.20	0.30
120 < ~ ≤300	±0.20	0.30	0.50
300 <	±0.30	0.50	0.80
ANGLES	±2.5°		

EMI STOP CORP.

EMI STOP

EMISTOP P/N	CUS P/N
SQ-26Q2G	