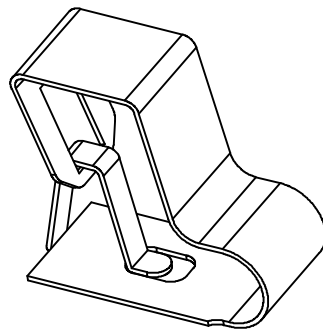
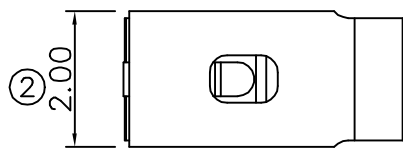
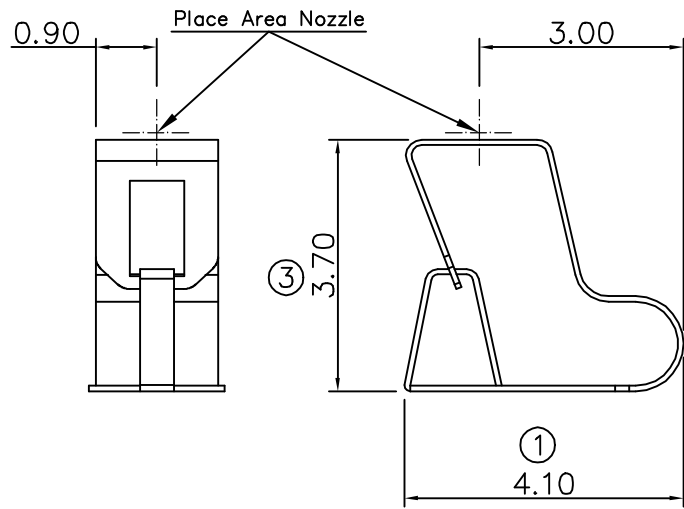
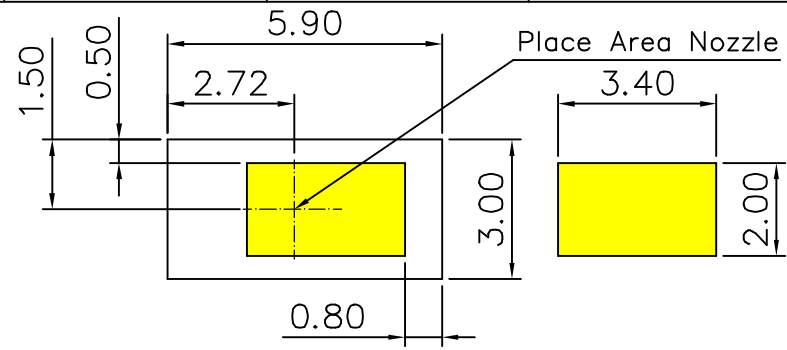


0010/02-'12

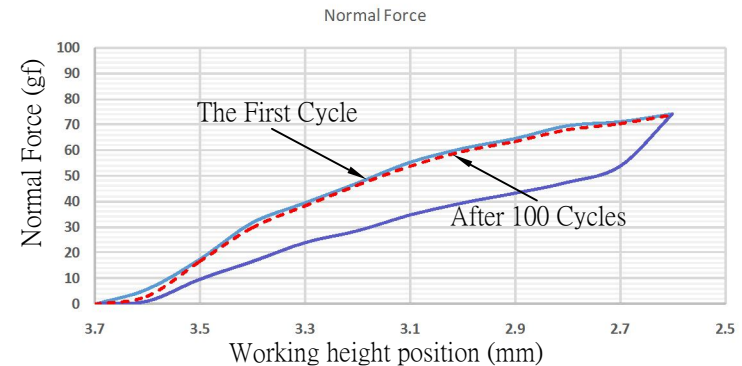


- Note:
1. Material: Copper Alloy Thickness 0.08mm
 2. Electroplate:
 - Gold Flash on contact area
 - Gold Flash on solder area
 - Nickel underplating over all
 3. Electrical Characteristics:
 - 3-1 Current Voltage: 12V
 - 3-2 Current Rate: 3A
 - 3-3 Contact Resistance: Normal Compression <math>< 30m\Omega</math>
 4. Working Height of Application: 2.60 ~ 3.20mm
 5. Spring Force Tolerance is $\pm 20gf$
 6. Operating Temperature: $-20^{\circ}C \sim +85^{\circ}C$



RECOMMENDED SOLDERING PCB LAYOUT

TOLERANCE(.XX \pm 0.05)



00	10/02-'12	Design creation								
REV	Date	Description								
DRAFT	Danny Liao	DATE	10/02-'12	RoHS Compatible						
CHECKER	Gabby Weng	DATE	10/02-'12							
APPROVAL	jacky Lin	DATE	10/02-'12			SHEET	1-2	SCALE	Not to scale	UNIT

TOLERANCE/CLASS			
RANGE(mm)	1	2	3
≤ 30	± 0.10	0.15	0.20
$30 < \leq 120$	± 0.15	0.20	0.30
$120 < \leq 300$	± 0.20	0.30	0.50
$300 <$	± 0.30	0.50	0.80
ANGLES	$\pm 2.5^{\circ}$		

EMI STOP CORP.
EMI STOP

EMISTOP	CUS P/N
SQ-37Q1G	