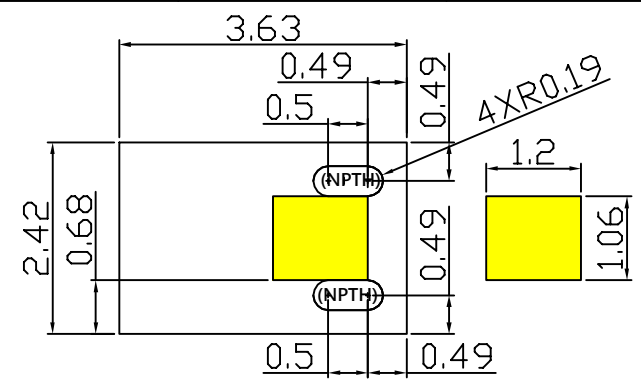
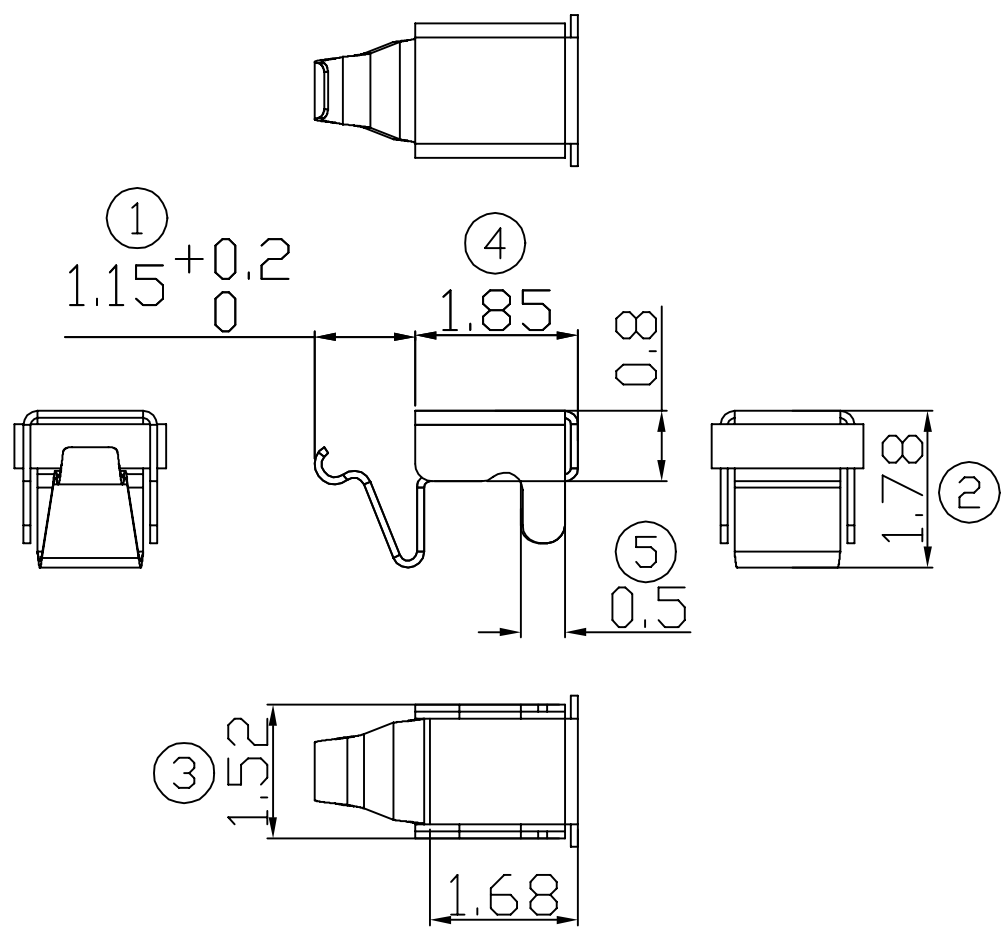


00 10/30-'15

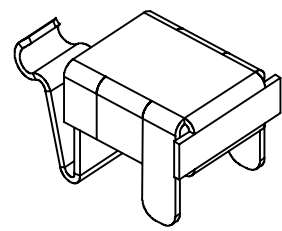


RECOMMENDED SOLDERING PCB LAYOUT

TOLERANCE(.XX±0.05)



- Note:
- Material: Copper Alloy Thickness 0.08mm
 - Electroplate:
 - Gold Flash on contact area
 - Gold Flash on solder area
 - Nickel underplating over all
 - Electrical Characteristics:
 - 3-1 Current Voltage: 12V
 - 3-2 Current Rate: 3A
 - 3-3 Contact Resistance: Normal Compression < 30mΩ
 - Working Range of Application: 0.30~0.50 mm
 - Spring Force Tolerance is ±20gf
 - Operating Temperature: -20°C~+85°C



00	10/30-'15	Design creation				
REV	Date	Description				
DRAFT		DATE	RoHS Compatible			
Hardy Hsieh		10/30-'15				
CHECKER		DATE				
Justin Wu		10/30-'15				
APPROVAL		DATE	SHEET	SCALE	UNIT	
Jacky Lin		10/30-'15	1-2	Not to scale	mm	

TOLERANCE/CLASS			
RANGE(mm)	1	2	3
≤30	±0.10	0.15	0.20
30< - ≤120	±0.15	0.20	0.30
120< - ≤300	±0.20	0.30	0.50
300<	±0.30	0.50	0.80
ANGLES	±2.5°		

EMI STOP CORP.
 EMI STOP
 EMISTOP JC-301518Q1G CUS P/N