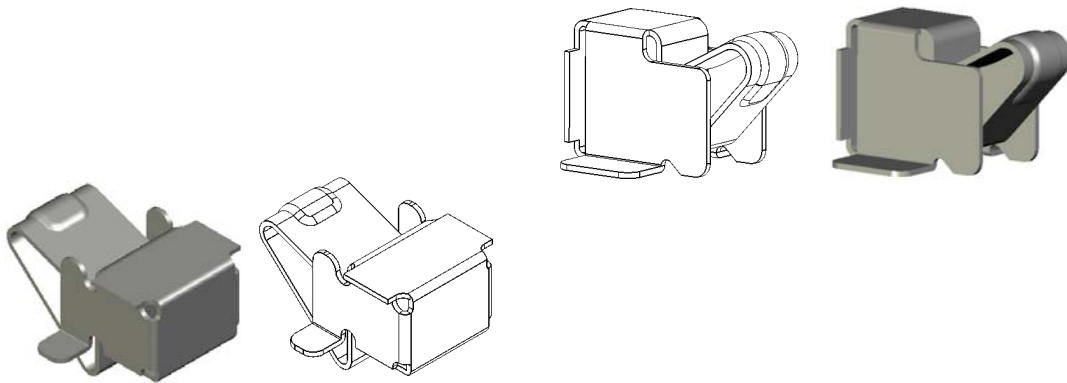




SIDE CONTACT SPRING

JC SERIES

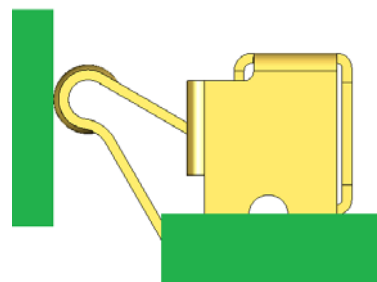
- Side contact
- Offset and SMT type
- Anti-hook design available



Grounding / EMI / Signal Solution

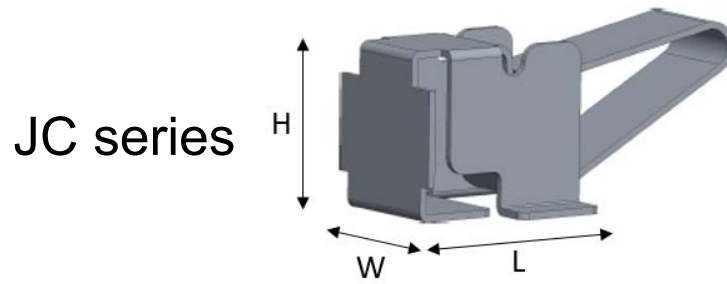
Applications

- Antenna Contact
- Grounding Contact
- Signal Transmission



← JC Spring

← PCB



P/N	Plating	Material	L (mm)	W (mm)	H (mm)	Working Range (mm)
JC-252113G	Gold	Titanium Copper	2.50	2.10	1.24	0.30 ~ 0.45
JC-302619G	Gold	Copper Alloy	3.02	2.64	1.91	0.30 ~ 0.50
JC-394722Q1G	Gold	Copper Alloy	3.90	2.20	4.70	0.50 ~ 1.00
JC-402015A1Q2G	Gold	Titanium Copper	3.97	1.56	2.06	0.50 ~ 1.20
JC-442022Q2G	Gold	Stainless Steel	4.37	2.24	1.96	0.30 ~ 0.50
JC-301518Q1G	Gold	Copper Alloy	3.00	1.72	1.78	0.30 ~ 0.50
JC-323020G	Gold	Titanium Copper	3.17	2.96	1.98	0.30 ~ 0.60
JC-323620G	Gold	Stainless Steel	3.53	3.56	2.00	0.50 ~ 0.70
JC-333311G	Gold	Copper Alloy	3.25	1.80	1.68	0.30 ~ 0.50
JC-423037Q1G	Gold	Copper Alloy	3.82	3.65	2.93	0.50 ~ 0.80

< contact us > +886-2-8911-3450 | service@emistop.com

