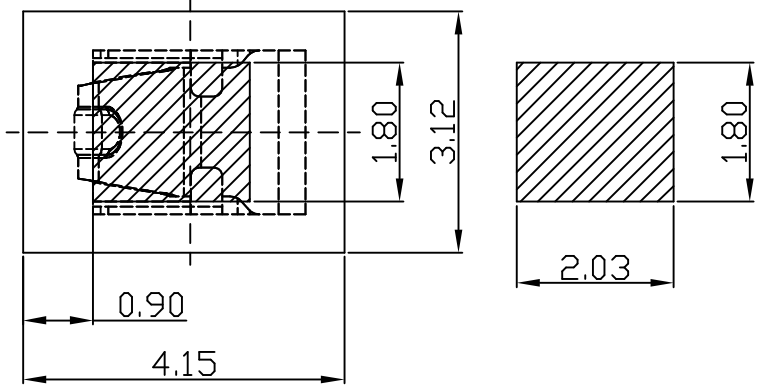
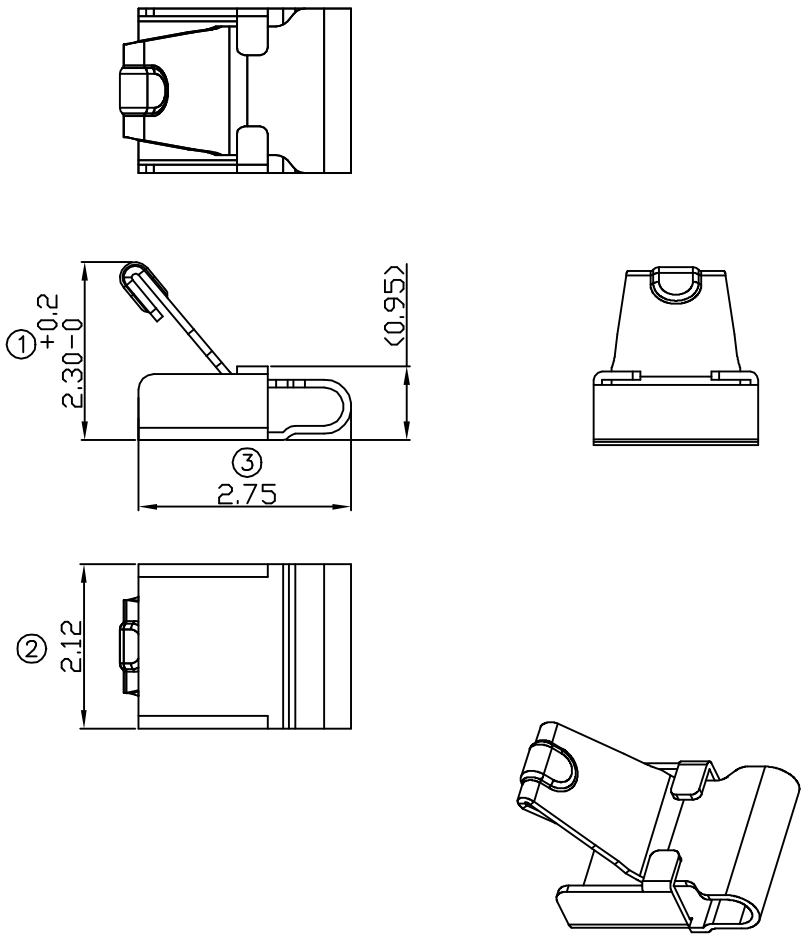
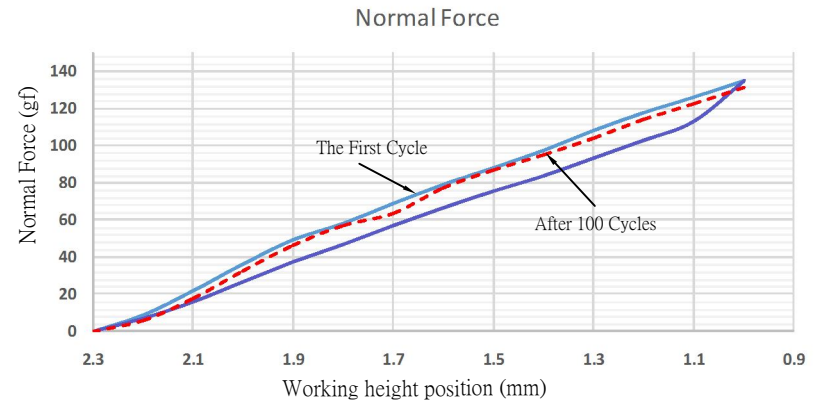


A  
B  
C  
D  
E  
F



RECOMMENDED SOLDERING PCB LAYOUT (TOP VIEW)  
TOLERANCE (.XX±0.05)



Note:  
 1. Material: Copper alloy Thickness 0.10mm  
 2. Electroplate:  
     Gold Flash on contact area  
     Gold Flash solder area  
     Nickel underplating over all  
 3. Electrical Characteristics:  
     3-1 Current Voltage: 12V  
     3-2 Current Rate: 3A  
     3-3 Contact Resistance: Normal Compression <math>< 30\text{m}\Omega</math>  
 4. Working Height of Application: 1.00 ~ 1.80mm  
 5. Spring Force Tolerance is  $\pm 20\text{gf}$   
 6. Operating Temperature:  $-20^\circ\text{C} \sim +85^\circ\text{C}$



00	03/20-'15	Design creation						
REV	Date	Description						
DRAFT	Hardy Hsieh	DATE	03/20-'15	<b>RoHS Compatible</b>				
CHECKER	Justin Wu	DATE	03/20-'15					
APPROVAL	Jacky Lin	DATE	03/20-'15					
		SHEET	1-2	SCALE	Not to scale	UNIT	mm	

TOLERANCE/CLASS			
RANGE(mm)	1	2	3
≤30	±0.10	0.15	0.20
30< ~ ≤120	±0.15	0.20	0.30
120< ~ ≤300	±0.20	0.30	0.50
300<	±0.30	0.50	0.80
ANGLES	±2.5°		

**EMI STOP CORP.**  
 EMI STOP  
 EMISTOP QM-23A3Q1G CUS P/N