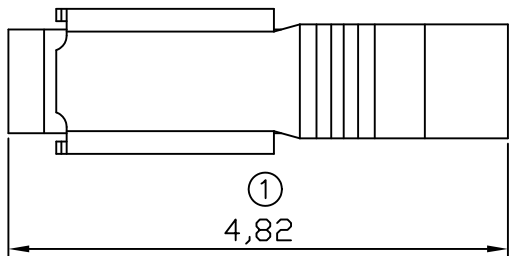
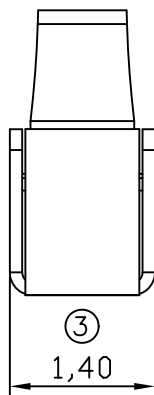
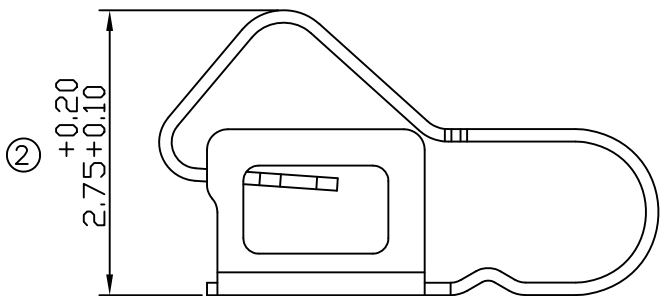
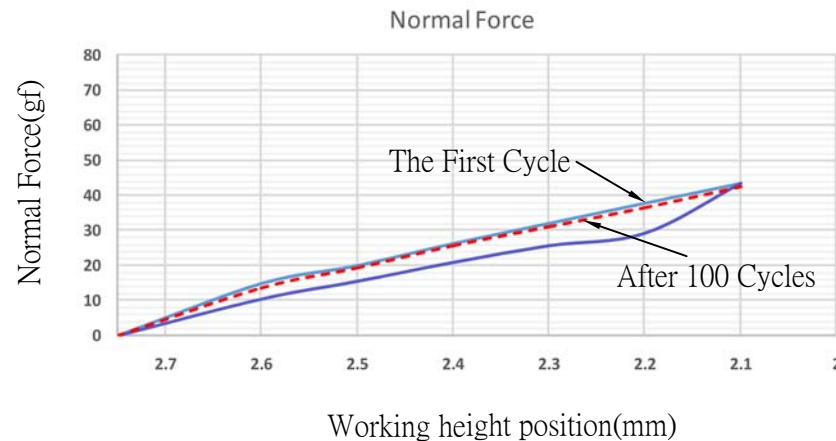


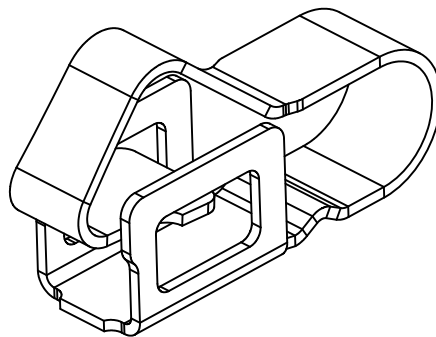
RECOMMENDED SOLDERING PCB LAYOUT

TOLERANCE(.XX±0.05)



Note:

1. Material: Titanium Copper Thickness 0.12mm
2. Electroplate:
Gold Flash on contact area
Gold Flash on solder area
Nickel underplating over all
3. Electrical Characteristics:
3-1 Current Voltage: 12V
3-2 Current Rate: 3A
3-3 Contact Resistance: Normal Compression <math>< 30\text{m}\Omega</math>
4. Working Height of Application: 2.10 ~ 2.40mm
5. Spring Force Tolerance is $\pm 20\text{gf}$
6. Operating Temperature: $-20^\circ\text{C} \sim +85^\circ\text{C}$



00	02/14-'19	Design creation			
REV	Date	Description			
DRAFT	Owen Chiang	DATE	02/14-'19	RoHS Compatible	
CHECKER	Justin Wu	DATE	02/14-'19		
APPROVAL	Jacky Lin	DATE	02/14-'19		
		SHEET	1-2	SCALE	Not to scale
		UNIT	mm		

TOLERANCE/CLASS			
RANGE(mm)	1	2	3
≤30	±0.10	0.15	0.20
30<- ≤120	±0.15	0.20	0.30
120<- ≤300	±0.20	0.30	0.50
300<	±0.30	0.50	0.80
ANGLES	±2.5°		



EMI STOP CORP.

EMISTOP
QM-27G

CUS P/N