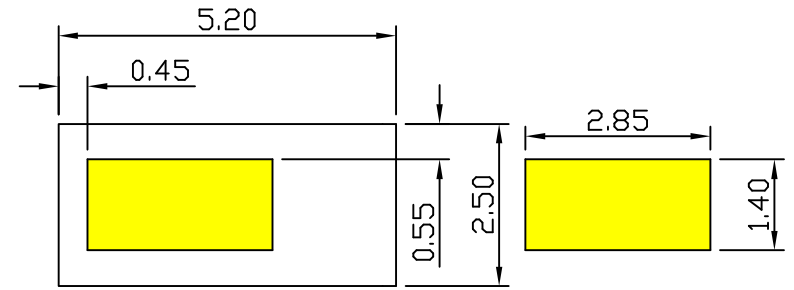
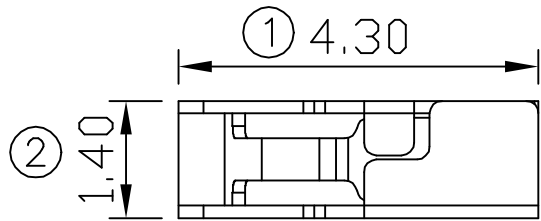
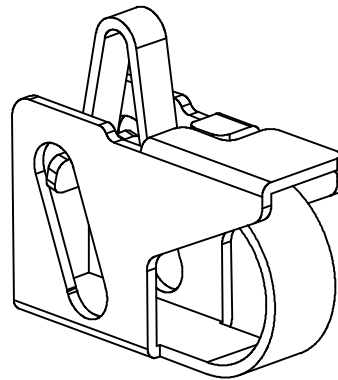
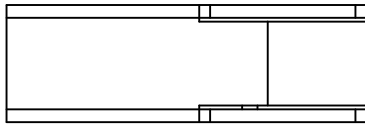
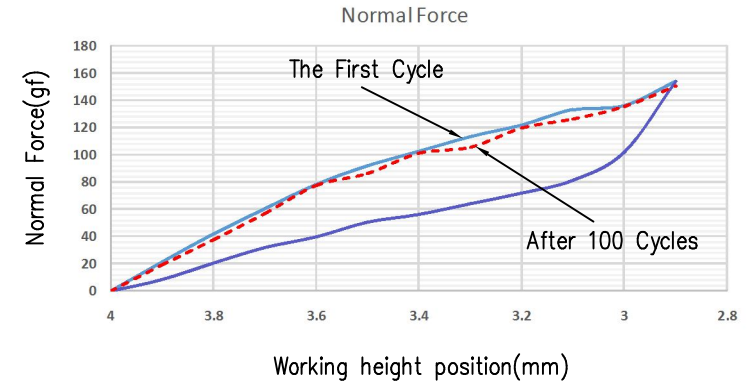
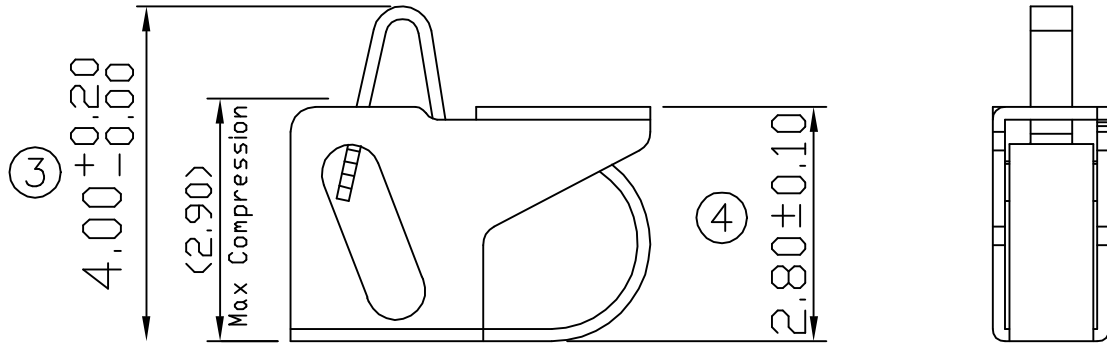


00 04/30-'19



RECOMMENDED SOLDERING PCB LAYOUT

TOLERANCE(.XX±0.05)



Note:

1. Material: Copper Alloy Thickness 0.15mm
2. Electroplate:
  - Au > 1u" on contact area
  - Au > 1u" on solder area
  - Nickel underplating over all
3. Electrical Characteristics:
  - 3-1 Current Voltage: 12V
  - 3-2 Current Rate: 3A
  - 3-3 Contact Resistance: Normal Compression < 30mΩ
4. Working Height of Application: 2.90 ~ 3.40mm
5. Spring Force Tolerance is ±20gf
6. Operating Temperature: -20℃~+85℃

00	04/09-'14	Design creation						
REV	Date	Description						
DRAFT	Robin Liao	DATE	04/30-'19	<b>RoHS Compatible</b>				
CHECKER	Justin Wu	DATE	04/30-'19					
APPROVAL	Jacky Lin	DATE	04/30-'19					
		SHEET	1-2	SCALE	Not to scale	UNIT	mm	

TOLERANCE/CLASS			
RANGE(mm)	1	2	3
≤30	±0.10	0.15	0.20
30<- ≤120	±0.15	0.20	0.30
120<- ≤300	±0.20	0.30	0.50
300<	±0.30	0.50	0.80
ANGLES	±2.5°		

**EMI STOP CORP.**  
EMI STOP

EMISTOP QM-40A1Q2G-1

CUS P/N