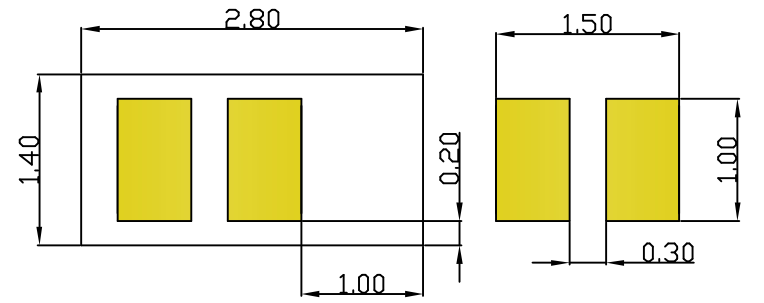
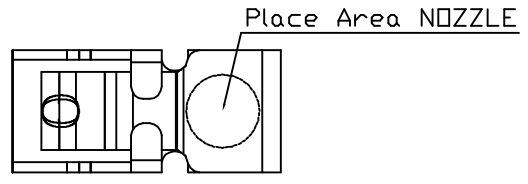
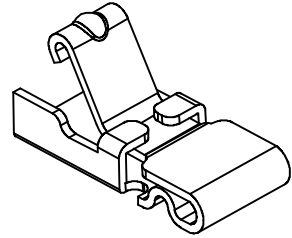
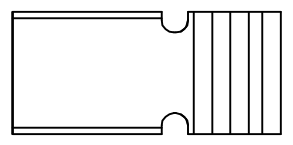
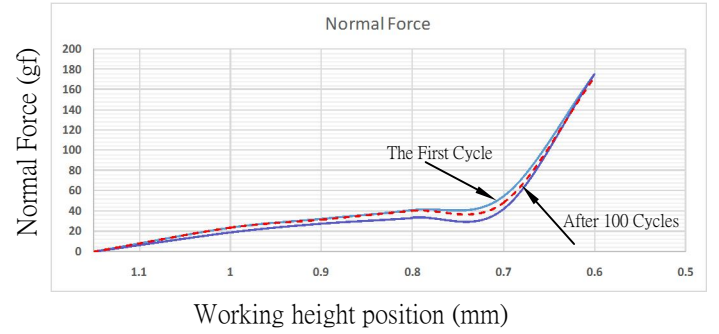
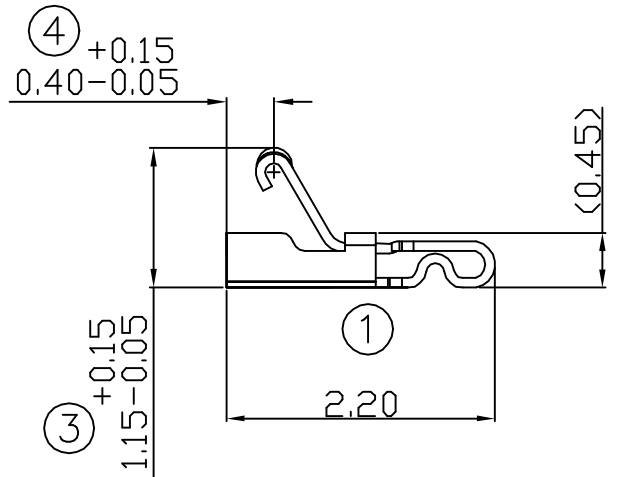


00 03/01-'17



RECOMMENDED SOLDERING PCB LAYOUT
TOLERANCE(.XX±0.05)



- Note:
1. Material: Titanium copper Thickness 0.08mm
 2. Electroplate:
 - Gold Flash on contact area
 - Gold Flash on solder area
 - Nickel underplating over all
 3. Electrical Characteristics:
 - 3-1 Current Voltage: 12V
 - 3-2 Current Rate: 3A
 - 3-3 Contact Resistance: Normal Compression <math>< 30m\Omega</math>
 4. Working Height of Application: 0.55~0.75 mm
 5. Spring Force Tolerance is $\pm 20gf$
 6. Operating Temperature: $-20^{\circ}C \sim +85^{\circ}C$

00	03/01-'17	Design creation		
REV	Date	Description		
DRAFT	Hardy Hsieh	DATE	03/01-'17	RoHS Compatible
CHECKER	Justin Wu	DATE	03/01-'17	
APPROVAL	Jacky Lin	DATE	03/01-'17	SHEET 1-2
		SCALE	Not to scale	UNIT mm

TOLERANCE/CLASS			
RANGE(mm)	1	2	3
≤30	±0.10	0.15	0.20
30<- ≤120	±0.15	0.20	0.30
120<- ≤300	±0.20	0.30	0.50
300<	±0.30	0.50	0.80
ANGLES	±2.5°		

EMI STOP CORP.

EMI STOP

EMISTOP QTT-10A2G

CUS P/N