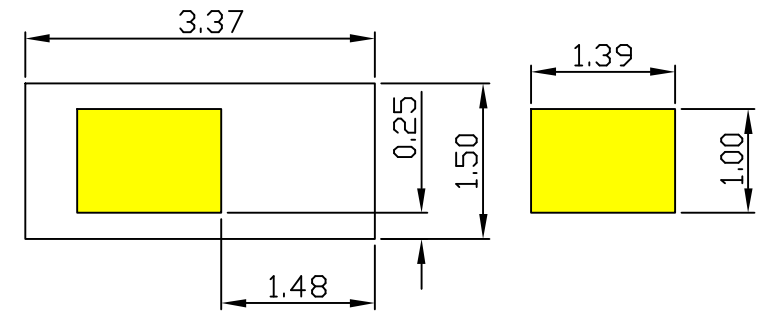
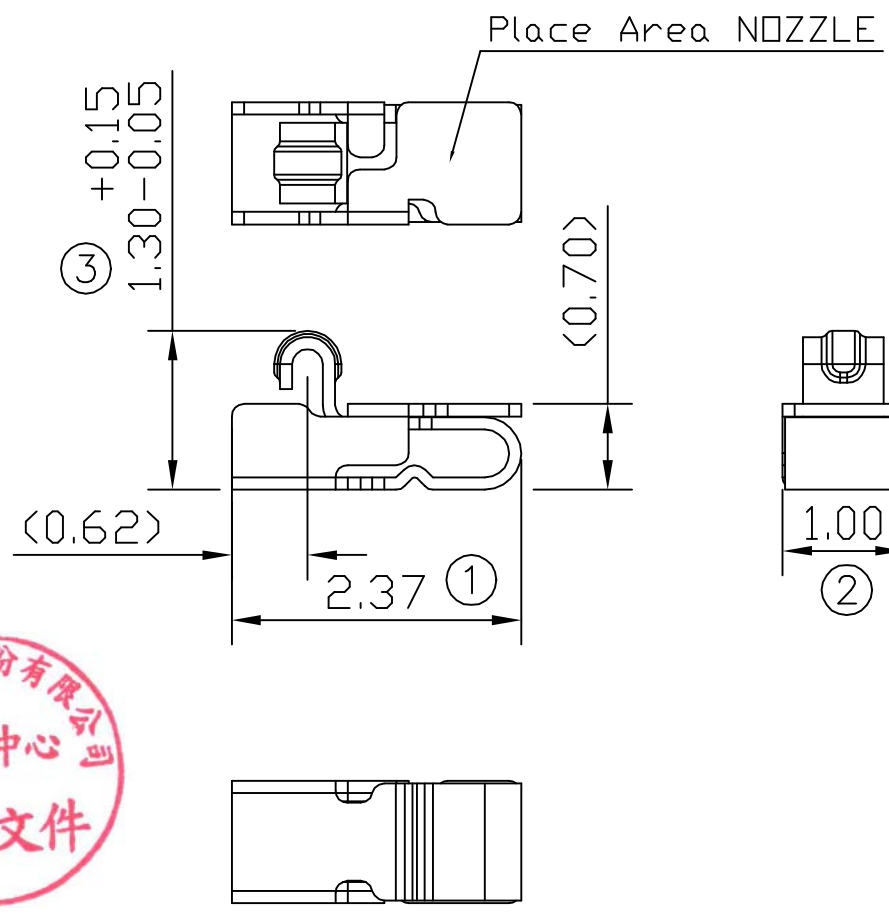
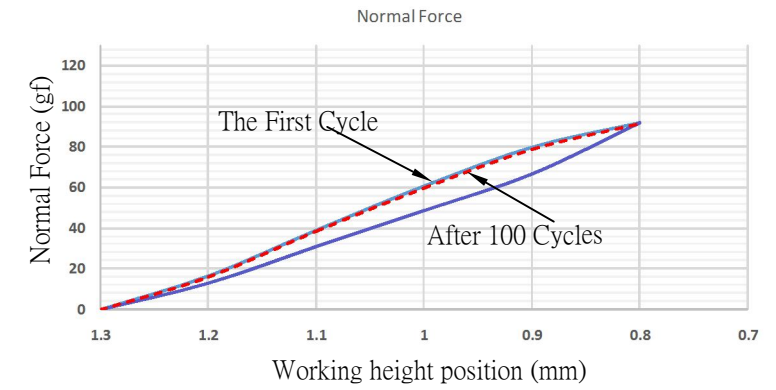


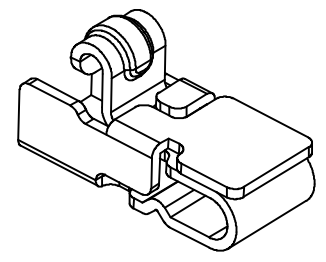
01 06/16-'14



RECOMMENDED SOLDERING PCB LAYOUT
TOLERANCE (.XX ± 0.05)



- Note:
- Material: Titanium copper Thickness 0.10mm
 - Electroplate:
 - Gold Flash on contact area
 - Gold Flash on solder area
 - Nickel underplating over all
 - Electrical Characteristics:
 - 3-1 Current Voltage: 12V
 - 3-2 Current Rate: 3A
 - 3-3 Contact Resistance: Normal Compression < 30mΩ
 - Working Height of Application: 0.80~1.00 mm
 - Spring Force Tolerance is ±20gf
 - Operating Temperature: -20℃~+85℃



01	06/15-'17	DDESIGN_IMPROVEMENT
00	12/10-'13	Design creation
REV	Date	Description
DRAFT	Duke Chen	DATE 12/10-'13
CHECKER	Gabby Weng	DATE 12/10-'13
APPROVAL	Jacky Lin	DATE 12/10-'13
SHEET	1-2	SCALE Not to scale
UNIT	mm	

RoHS Compatible

TOLERANCE/CLASS			
RANGE(mm)	1	2	3
≤30	±0.10	0.15	0.20
30<- ≤120	±0.15	0.20	0.30
120<- ≤300	±0.20	0.30	0.50
300<	±0.30	0.50	0.80
ANGLES	±2.5°		

EMI STOP CORP.

EMISTOP
QTT-13G

CUS P/N